

Prod. code: 122 6573; 122 6586; 122 6599  
(260x100) (280x200) (260x200)

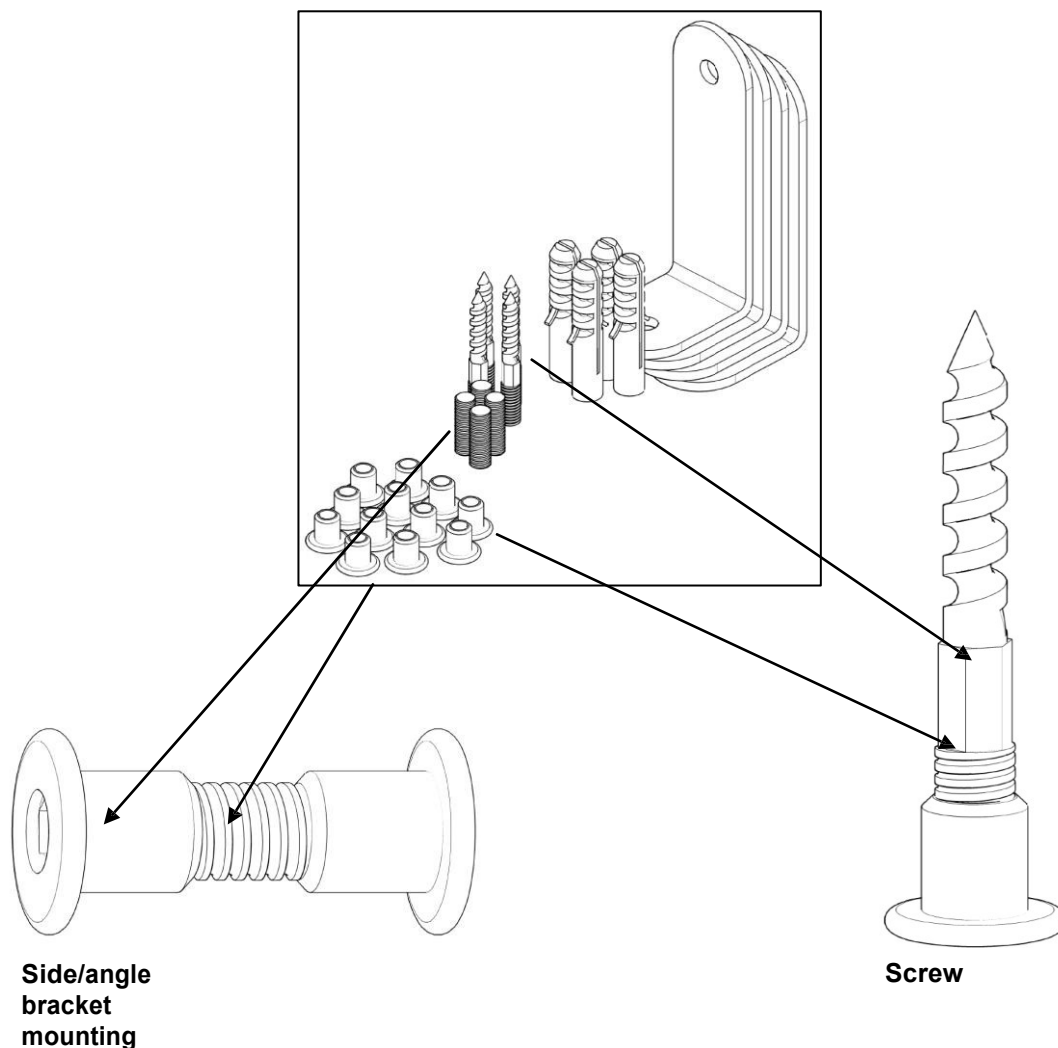
38367 Grasleben / Germany  
Telephone: +49 (0)53 57/181 81  
[www.sport-thieme.com](http://www.sport-thieme.com)

## **Assembly instructions for fixed mounting of wall bars**

Thank you very much for choosing a **Sport-Thieme** product. Please read the instructions fully before you assemble the equipment so you can enjoy the product and its guaranteed safety:

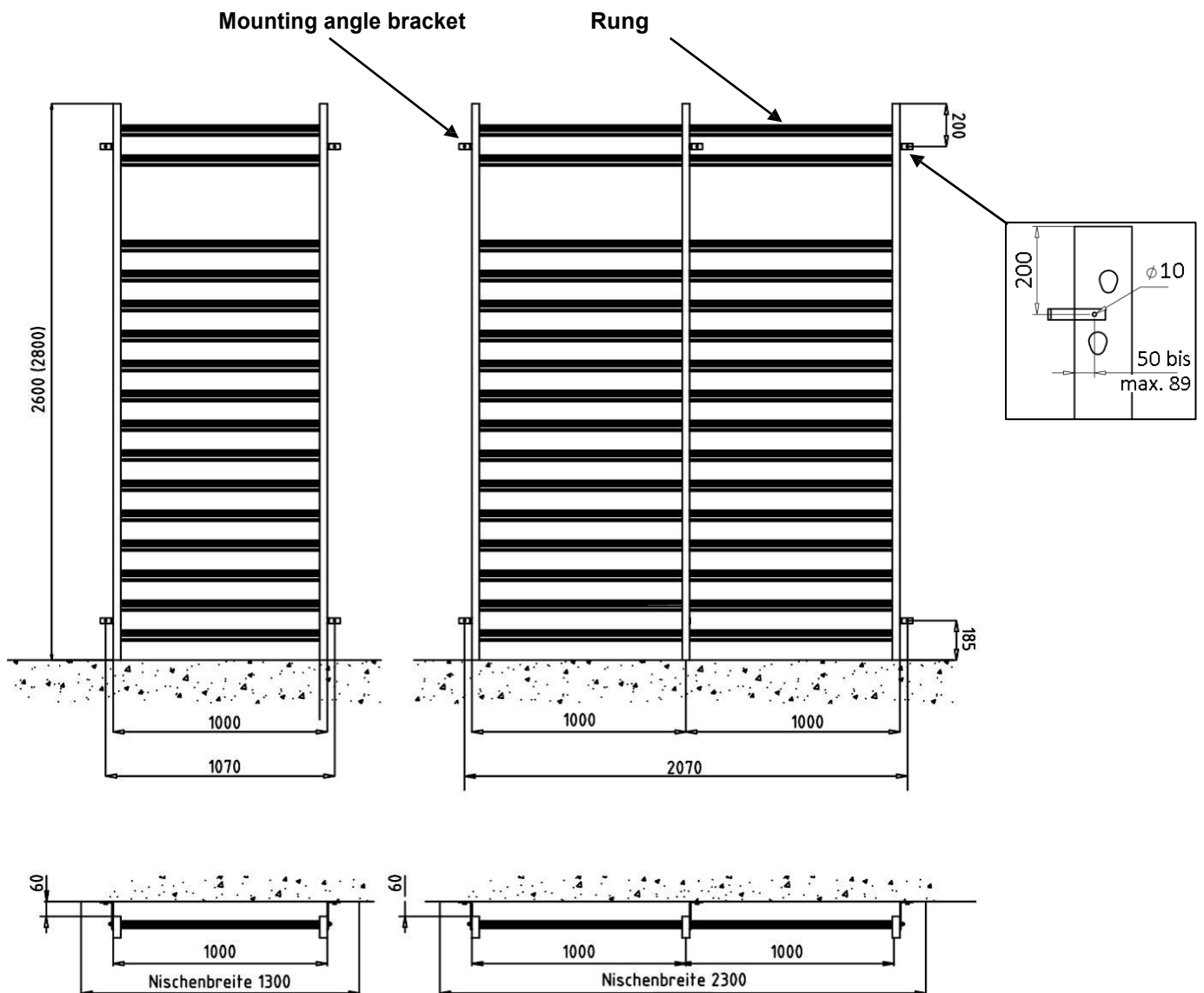
### **Included:**

<u>Pos.</u>	<u>Description</u>
1	4 or 5 mounting angle brackets
2	4 or 5 threaded rods M8
3	12 or 15 sleeve nuts M8
4	4 or 5 screws M8 x 60
5	4 or 5 plastic wall plugs 12 x 60



Prod. code: 122 6573; 122 6586; 122 6599  
(260x100) (280x200) (260x200)

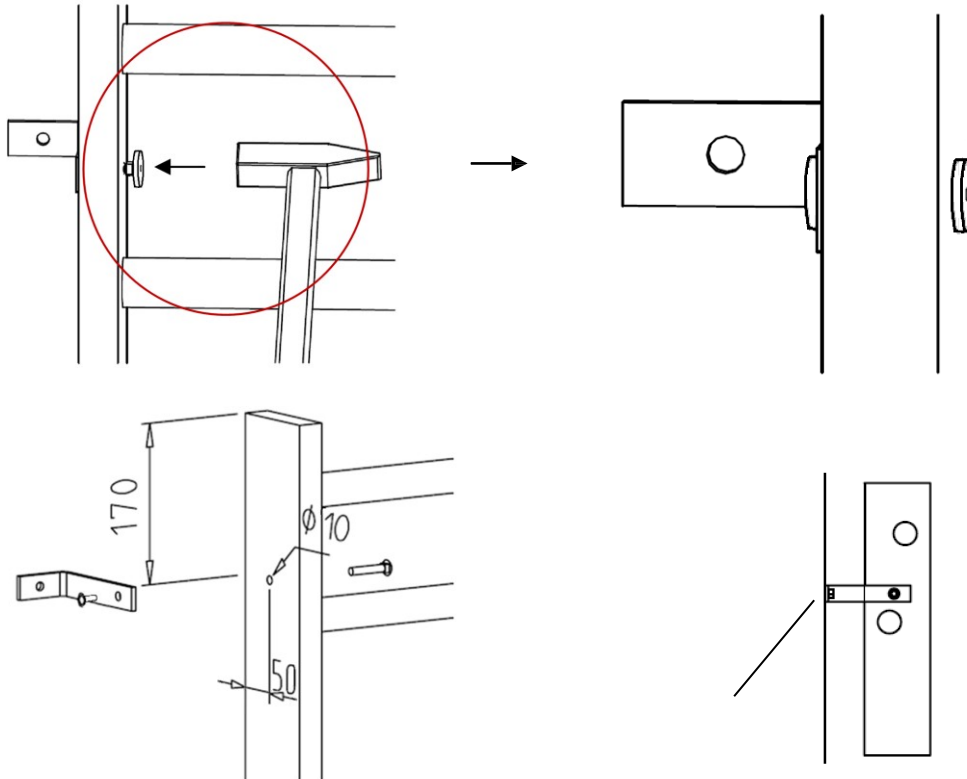
38367 Grasleben / Germany  
Telephone: +49 (0)53 57/181 81  
[www.sport-thieme.com](http://www.sport-thieme.com)



Prod. code: 122 6573; 122 6586; 122 6599  
(260x100) (280x200) (260x200)

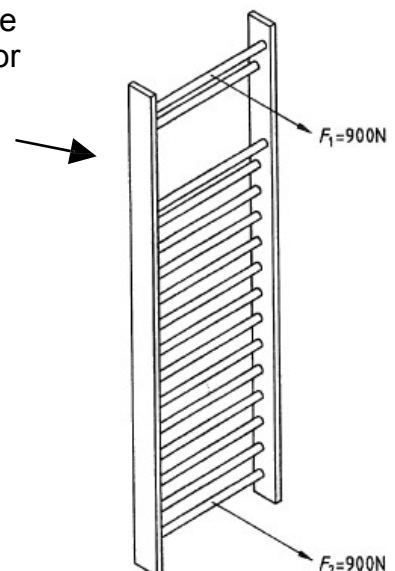
**Assembly instructions:**

Ensure that one end of the side/angle bracket mounting sits tightly on the side of the wall bars. To achieve this, you can use a standard hammer for example. The side/angle bracket mounting sitting in the wood is required for mounting to the angle bracket.



Please check the wall before mounting the wall bars to it. The wall should be stable and solid (solid brick, lime sand brick, or reinforced concrete) and be able to cope with horizontal forces in accordance with DIN 7910.

If you are not sure about the wall's properties, please consult a structural engineer.



Prod. code: 122 6573; 122 6586; 122 6599  
(260x100) (280x200) (260x200)

38367 Grasleben / Germany  
Telephone: +49 (0)53 57/181 81  
[www.sport-thieme.com](http://www.sport-thieme.com)

First, fix the mounting brackets to the wall.  
The mounted wall bars must stand on the floor. See the illustration for drilling measurements on the wall and the sides. The wall bars do not have any pre-drilled holes because on-site conditions such as electrical wiring, pipes and others, could make mounting impossible. The height information for the mounting brackets (wall plugs) is approximate.



### Maintenance and care instructions

#### **Instructions:**

Carry out a visual check at regular intervals. Due to our continuous quality control of the products, technical changes may occur which may lead to slight deviations in the instructions.  
Check at regular intervals that the screw connections are tight.  
Check the equipment for possible damage and replace worn-out parts. Check the condition of wooden elements as chipping and other signs of wear can result from use.

We are happy to answer any questions you may have.

Your **Sport-Thieme**  
Team