

# USER MANUAL



# FUNTEC

BEACH VOLLEYBALL POSTS

## PRO BEACH

ID: 111206/111205/111204



## USER MANUAL FOR BEACH VOLLEYBALL POSTS PRO BEACH



### GENERAL INFORMATION



**FREESTANDING**  
INSTALLATION WITH  
SQUARE TIMBER BEAMS

ID: 111206  
WITH CITY BEACH SOCKETS

4



**FIXED**  
BOLT-DOWN ON A  
CONCRETE FOUNDATION

ID: 111205  
WITH BOLT-DOWN SOCKETS

10



**FLEXIBLE**  
REMOVABLE SOCKETS  
FOR A FREE SAND COURT

ID: 111204  
WITH REMOVABLE SOCKETS

16

### NET INSTALLATION + COURTLINE

26

### SPARE PARTS

30

# GENERAL INFORMATION

PLEASE READ CAREFULLY BEFORE ASSEMBLY OR USE  
AND RETAIN FOR FUTURE USE

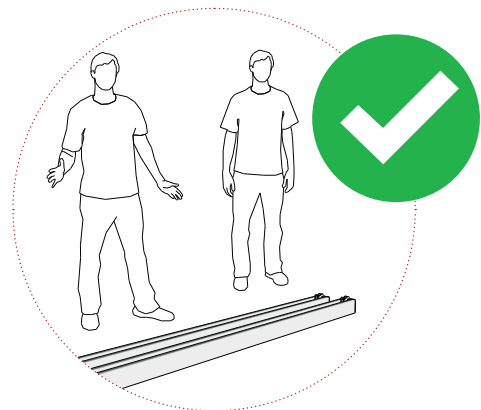
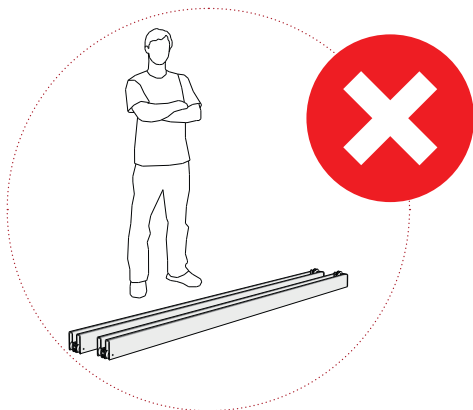
ID: 111206/111205/111204

## Security advice

- This product has been developed for use at competitions and at top-class sports.
- This product must be used in accordance with its designated use which is Volleyball or similar sports.
- Before using this product make sure it has been installed properly and all supports or fittings are firmly tightened.
- This product corresponds with DIN 33957:2012-04 and it has been developed in accordance with DIN EN 1271:2015-01.
- In case the posts have been removed from the sockets please make sure to cover any remaining parts in a way that players won't get injured.

## Assembly instructions

- This product has to be assembled with due care by an adult person. We recommend to call upon the help of a second person.
- For this product a level ground is required with the dimensions of at least 14 x 22 m (for the leisure sports) or 18 x 26 m (for competition sports).
- Depending on the way of floor mounting it is required to create foundations according to instructions from this manual.
- Please take no unnecessary risks while handling the equipment and be careful when assembling this product.



## Maintenance and care

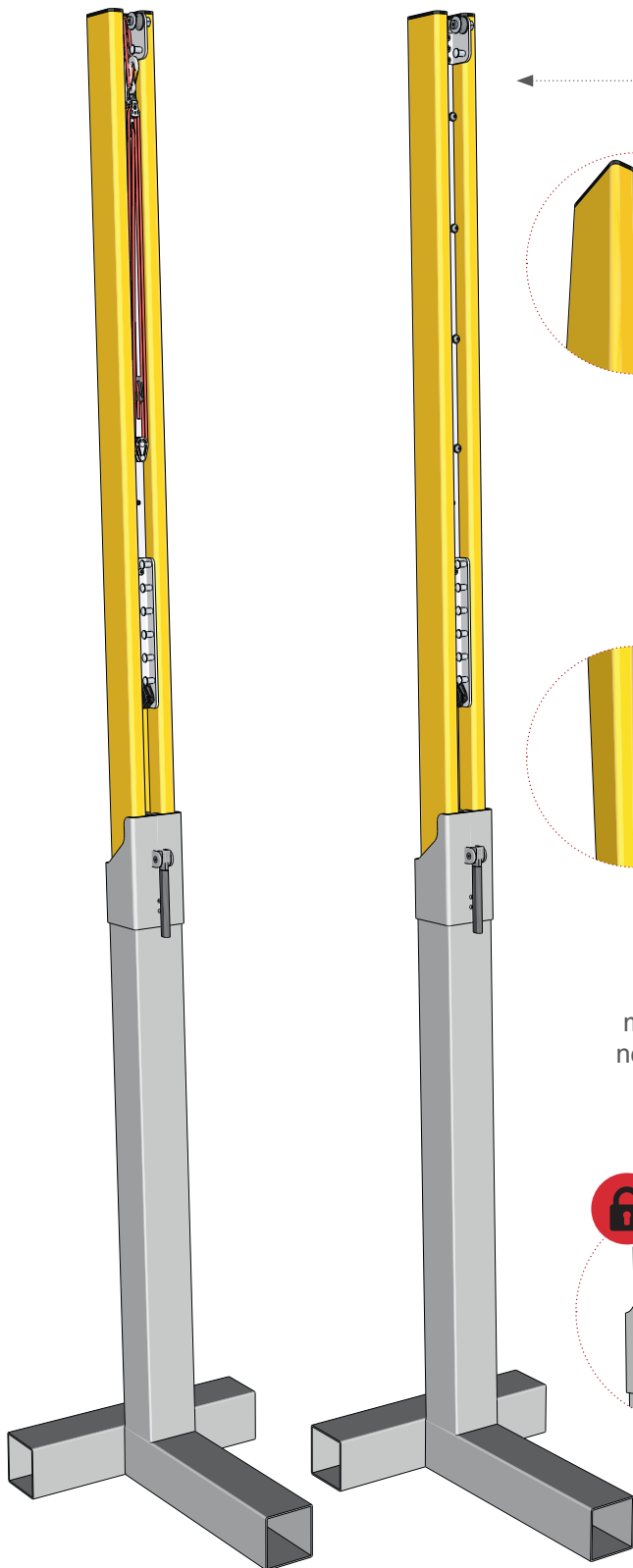
- This product does not require regular maintenance work. However, we recommend to check all components for damages or deformation regularly. Any damaged parts should be replaced as soon as possible.
- To clean this product, use water and soap avoiding all types of solvents or alcohol. Do not use dirty or abrasive cloths.
- Store in a dry place, ideally at a temperature of 10° C to 25° C.

# BEACH VOLLEYBALL POSTS PRO BEACH

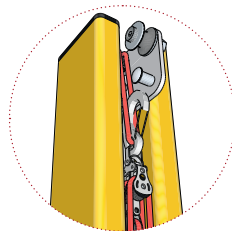
ID: 111206 - WITH FREESTANDING SOCKETS



## **FREESTANDING** INSTALLATION WITH SQUARE TIMBER BEAMS



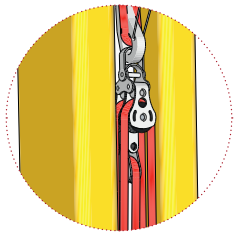
Pro Beach net posts made from powdercoated special aluminium profile (91 x 91 mm), telescopic height adjustment with special socket adapters



Single-arm suspension, allows easy mounting of net tension cable

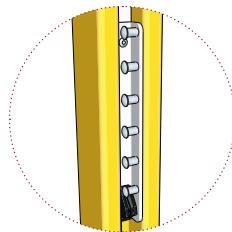
Rope pulley with triple block combination including a stainless steel carabiner with wire gate (for one-handed use)

Pulley block system is self-balancing to pulling direction

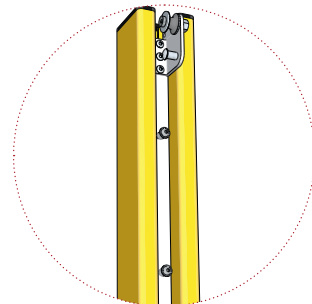


Open tensioning console with horizontal pins for best choice of net cord angle

Includes an additional clamcleat below for comfortable fine adjustment of tensioning ropes

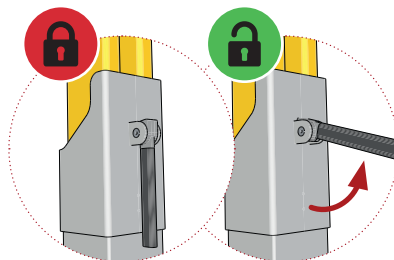


Tensioning counter slider with four mounting pins, ideal for choosing the best net pre-tension with differing cable lengths



Pro Beach sockets with easy-to-use locking lever

Maximum operation comfort with exact lever position (open/closed)



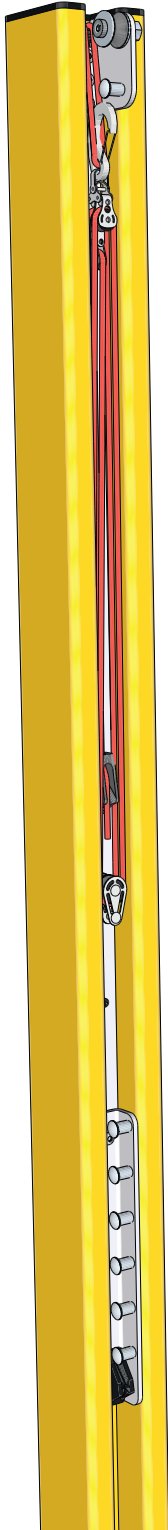
Sockets with T-base for a freestanding installation with square timbers

# SCOPE OF DELIVERY

ID: 111206

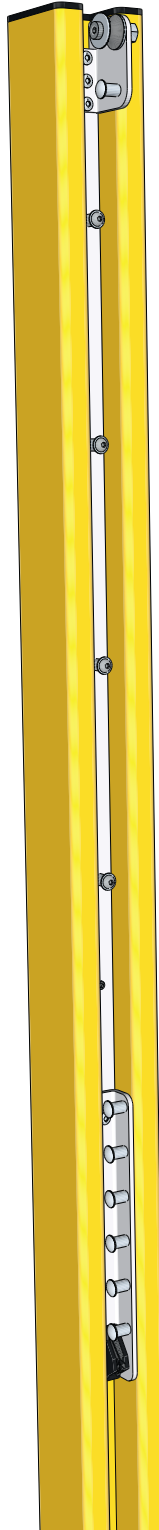


Net post with tackle tensioning slider



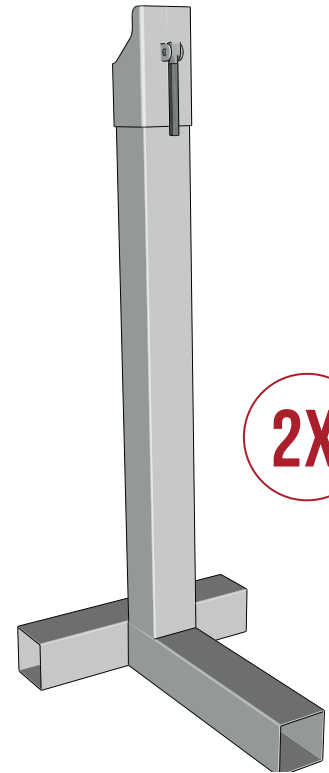
1X

Net post with tensioning counter slider



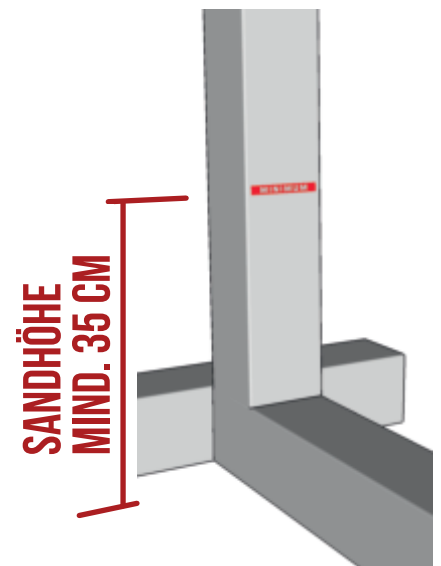
1X

Pro Beach socket with T-Base



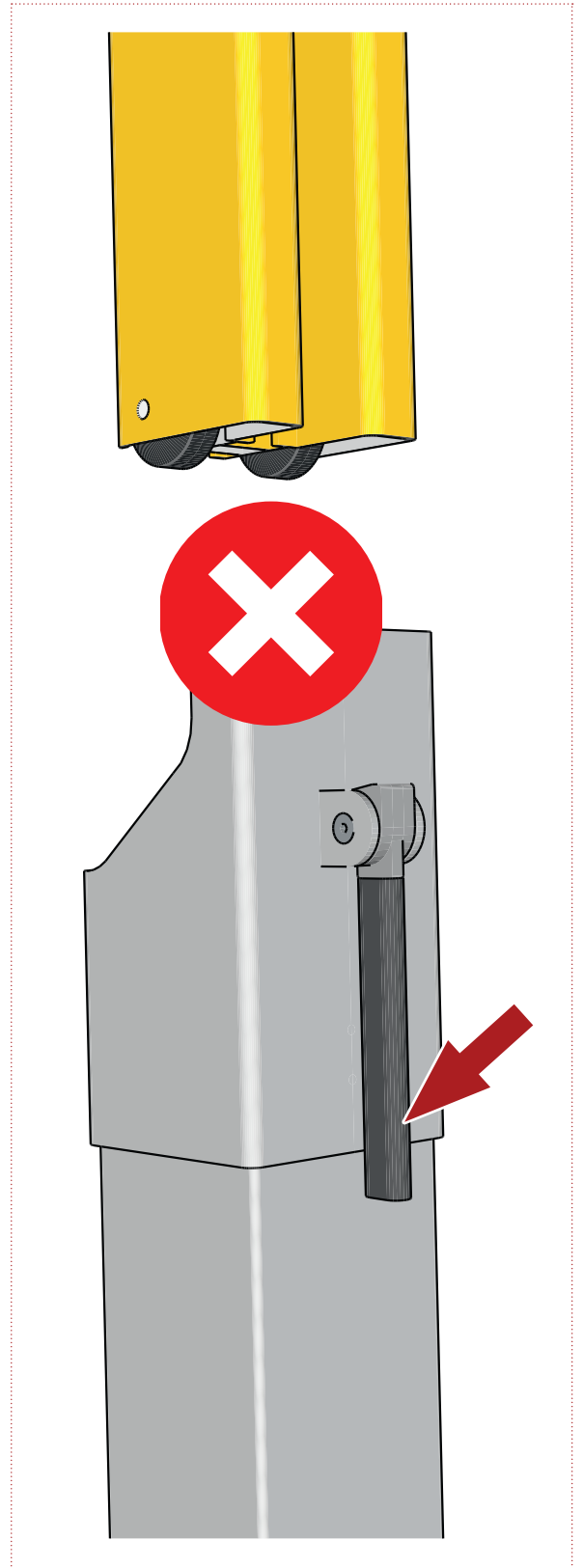
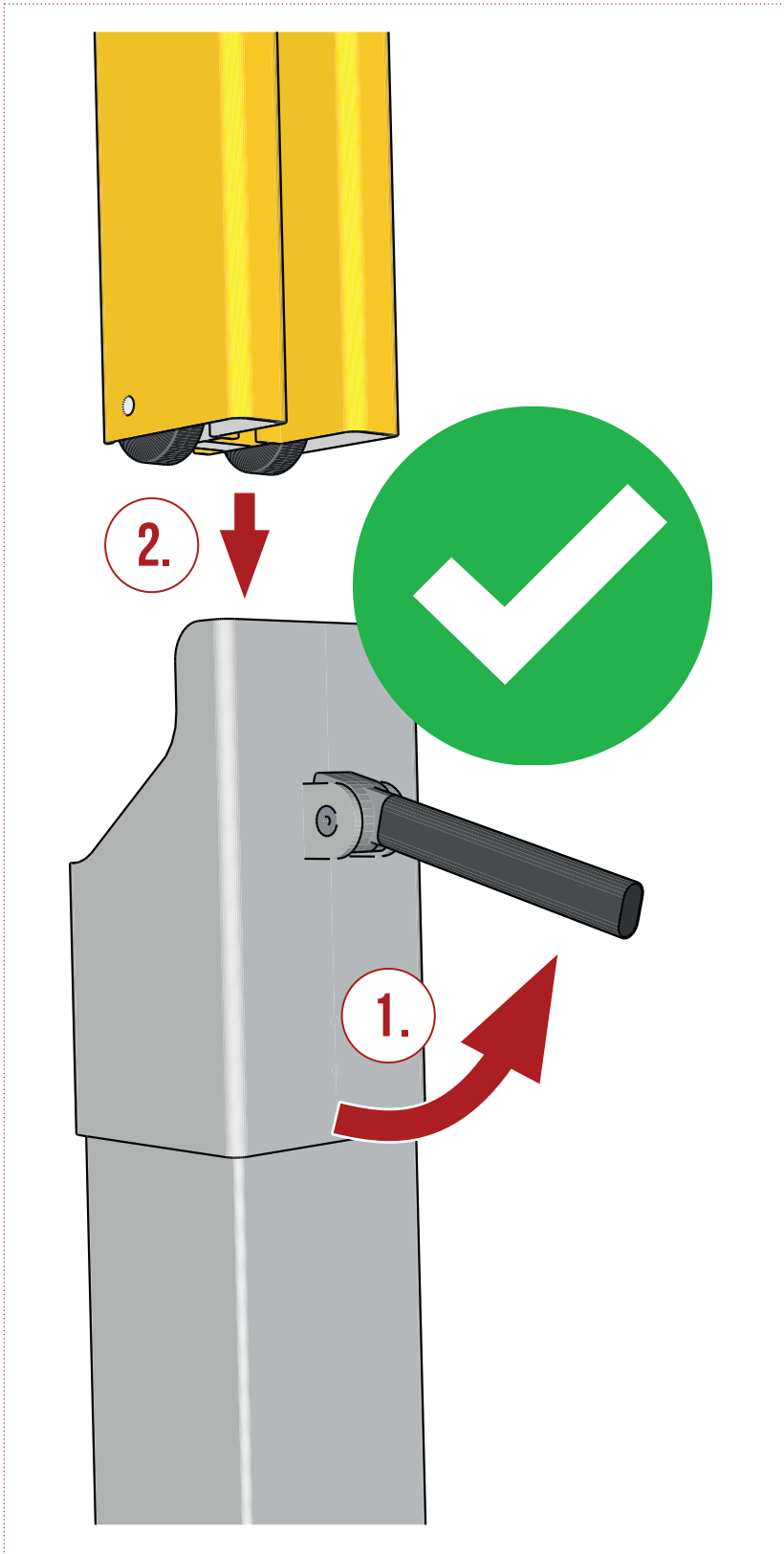
2X

Minimum sand level



SANDHÖHE  
MIND. 35 CM

# IMPORTANT NOTICE!





**FREESTANDING**  
INSTALLATION WITH  
SQUARE TIMBER BEAMS



**GROUND INSTALLATION FOR ID: 111206**

**General information on building a Beach Volleyball court with City Beach sockets:**

When building a sand court we suggest to fill up the sand first of all. Afterwards you can just dig in the City Beach ground sockets and set up the net system.

We consider a permanent sand level of 40-50 cm as ideal. It is recommended to fill up the sand a little bit higher at the centres of the playing field halves. It will be moved away towards the court surrounds by the players. Please make sure to create a minimum sand level of 35 cm around the ground sockets for this installation option.

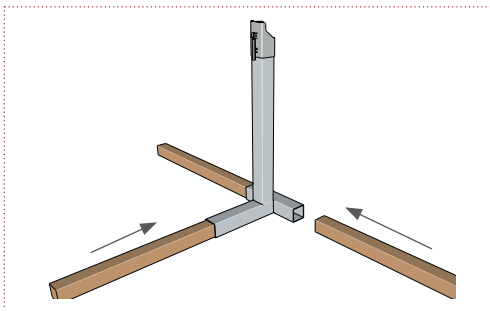
Example: Approximately 250 tons sand are required for a sand court with 14 x 22 m dimensions (for leisure sports) and a sand level of approximately 45 cm. Calculation: volume in m<sup>3</sup> x density factor (e.g.: 1,8 - depending on the grain size and the sand quality).

**MINIMUM SAND LEVEL: 35 CM**

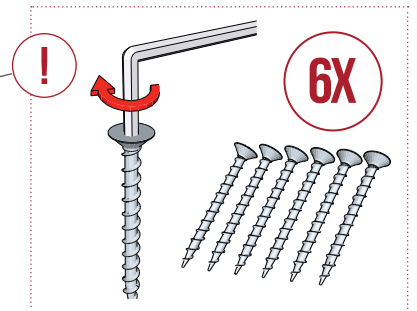
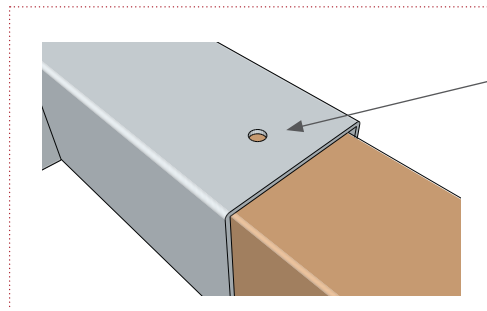
**Required for assembly:**

Pressure-treated square timbers, 6 pieces, each 1500 x 88 x 88 mm (maximum dimensions: 1500 x 90 x 90 mm), suitable for permanent ground contact

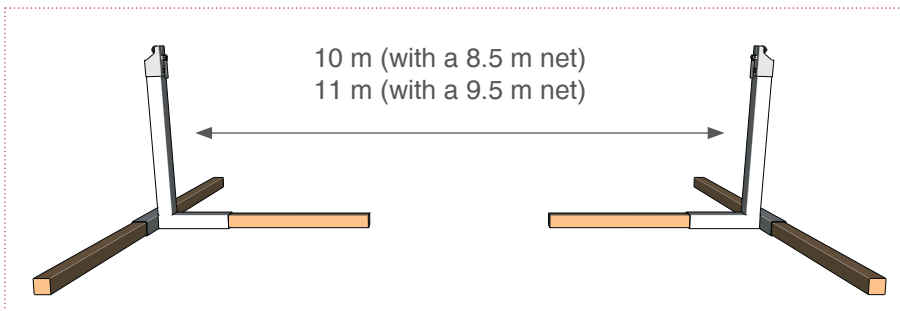
Insert square timbers into T-base



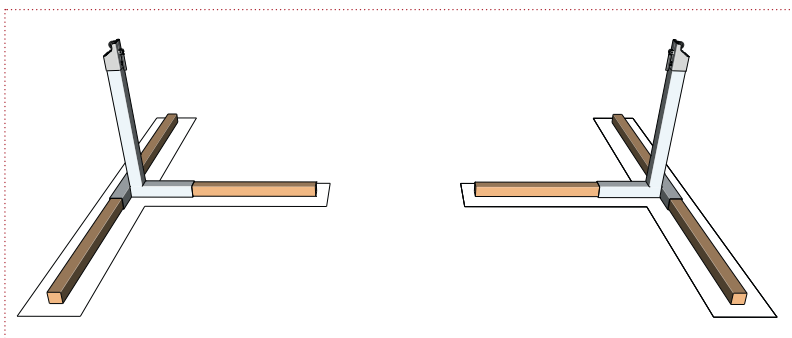
Secure with suitable screws



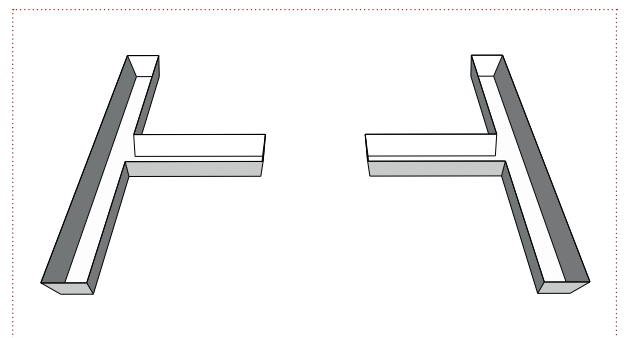
Set into position: ground sockets together with inserted square timbers



Mark the outline of the square timbers



Make excavations according to outlines



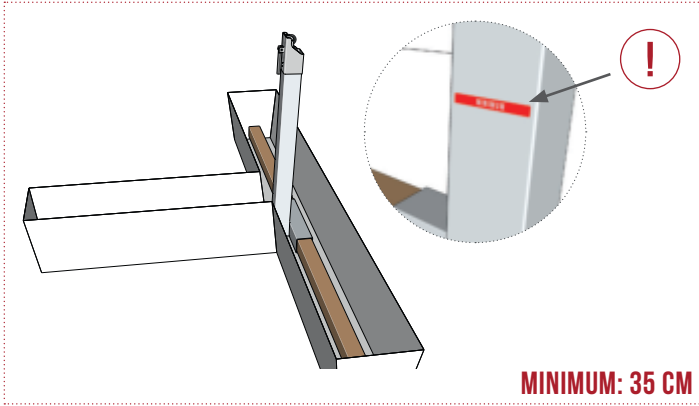


# FREESTANDING INSTALLATION WITH SQUARE TIMBER BEAMS

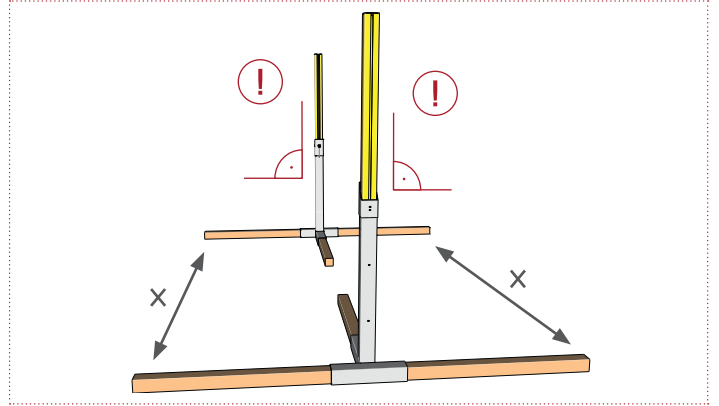


## GROUND INSTALLATION FOR ID: 111206

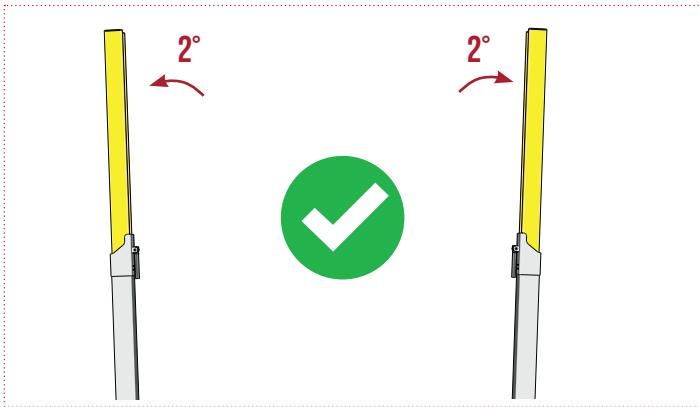
Set ground sockets with timbers into excavation; be careful not to step onto the borders of the excavation



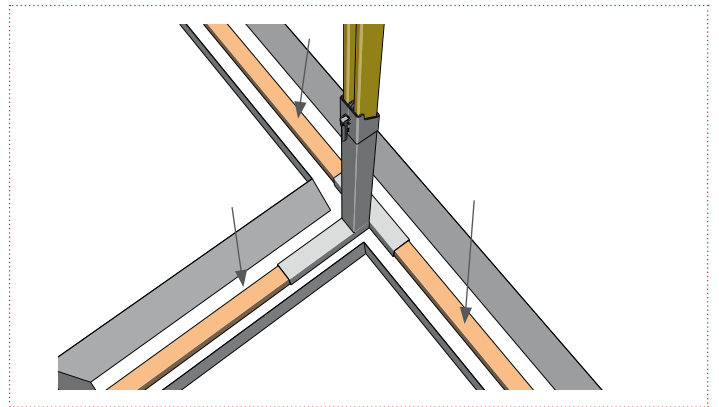
Align the sockets with each other - inserting the net poles will be helpful



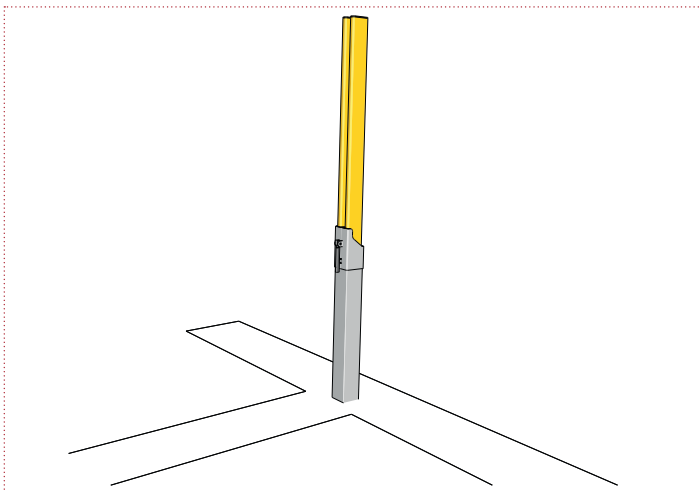
The sockets are designed with a 2° sloping angle to the outwards



Step on the timbers to press them firmly into the sand



Fill up the excavation  
(Be careful not to move the timbers when doing this!)







**FREESTANDING**  
INSTALLATION WITH  
SQUARE TIMBER BEAMS



**ACCESSORIES FOR ID: 111206 (SOLD SEPARATELY)**

Square timber set  
ID: 111232



1X

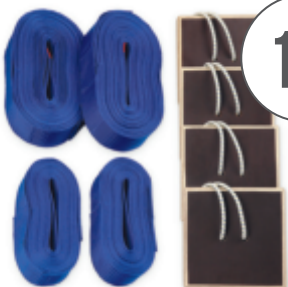
Pro Beach net PLUS, incl. net antennas PLUS  
(2-piece, with velcro strap pockets), ID: 111601



1X



Pro Beach Courtline  
ID: 111304



1X



Square-cut Beach Volley post pads (100 x 100 mm),  
1 pair, ID: 111353



1X



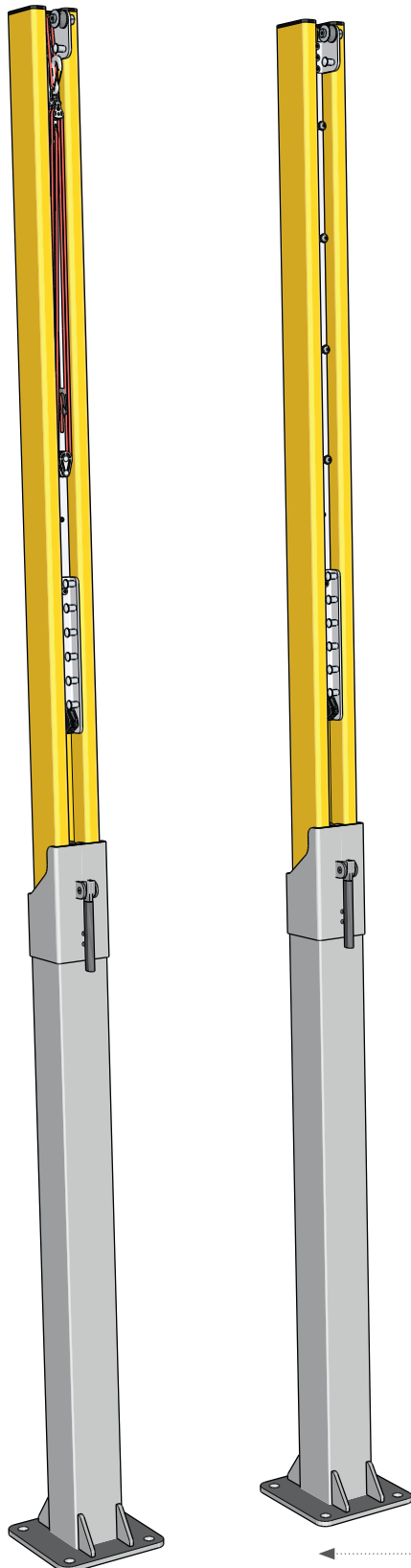
# BEACH VOLLEYBALL POSTS PRO BEACH



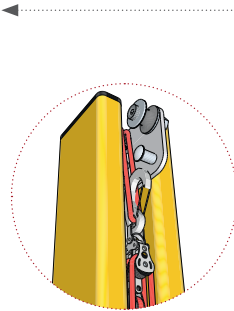
ID: 111205 - WITH BOLT-DOWN SOCKETS



**FIXED**  
BOLT-DOWN ON A  
CONCRETE FOUNDATION

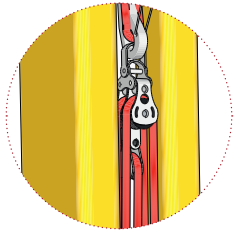


Pro Beach net posts made from powdercoated special aluminium profile (91 x 91 mm), telescopic height adjustment with special socket adapters

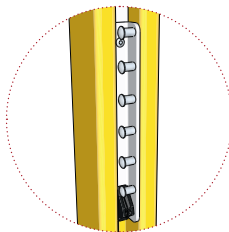


Single-arm suspension, allows easy mounting of tension cable

Rope pulley with triple block combination including a stainless steel carabiner with wire gate (for one-handed use)

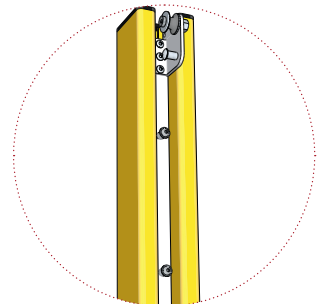


Pulley block system is self-balancing to pulling direction

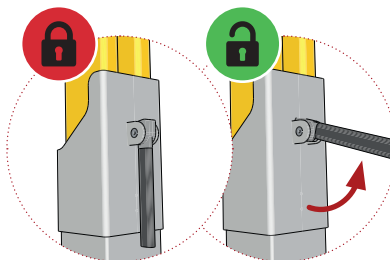


Open tensioning console with horizontal pins for best choice of net cord angle

Includes an additional clamcleat below for comfortable fine adjustment of tensioning ropes



Tensioning counter slider with four mounting pins, ideal for choosing the best net pre-tension with differing cable lengths



Pro Beach sockets with easy-to-use locking lever

Maximum operation comfort with exact lever position (open/closed)

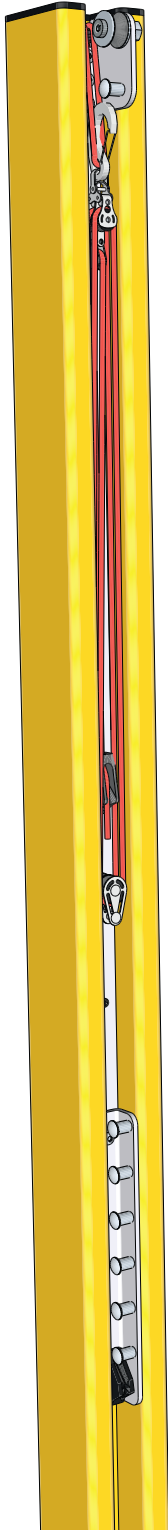
Sockets with bolt-down base for installation on a concrete foundation

# SCOPE OF DELIVERY

ID: 111205

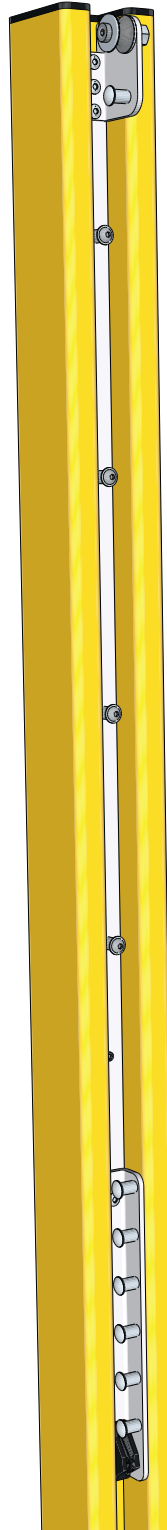


Net post with  
tackle tensioning slider



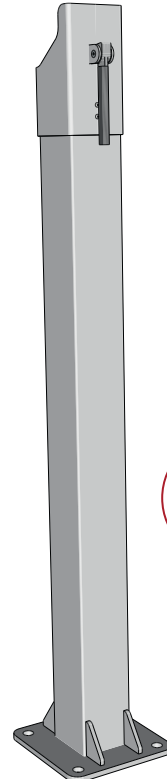
1X

Net post with  
tensioning counter slider



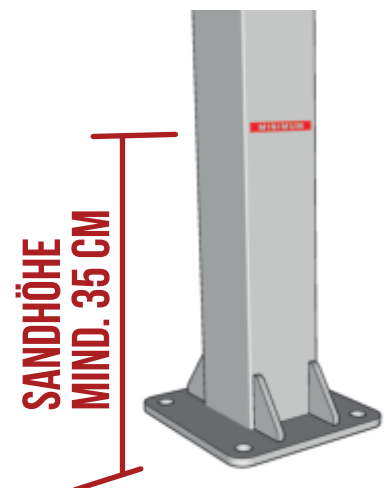
1X

Pro Beach socket  
with bolt-down base

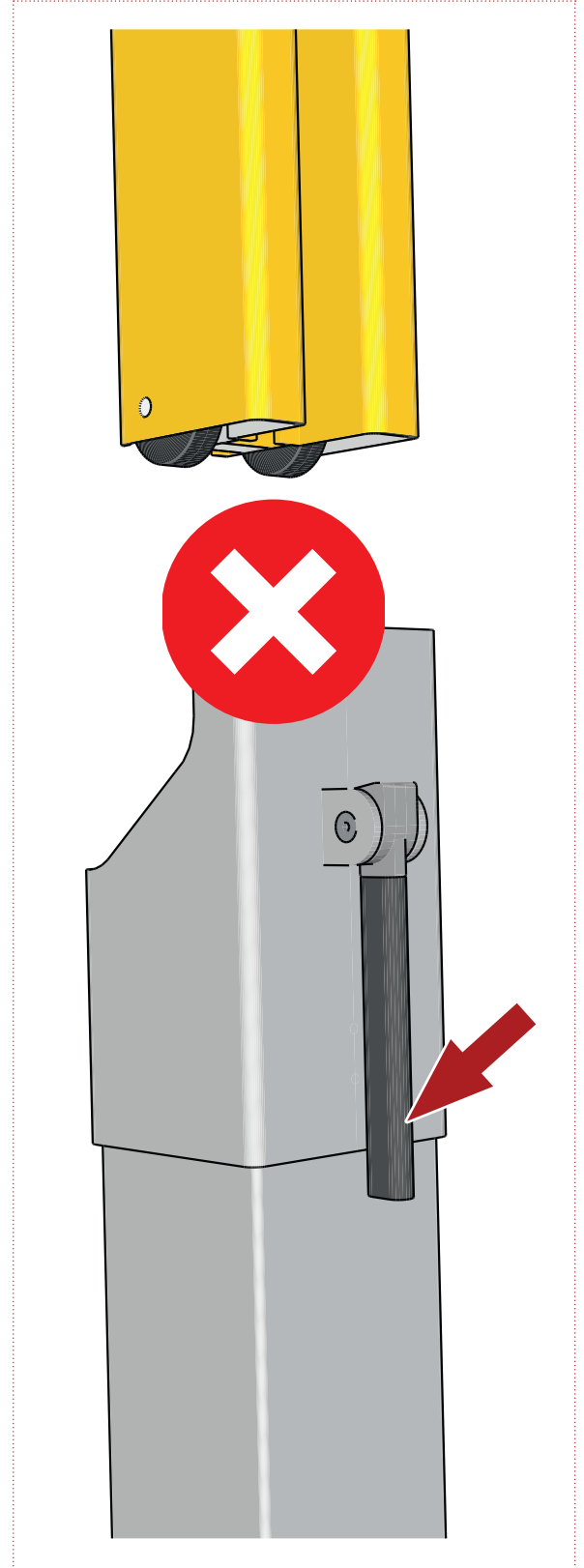
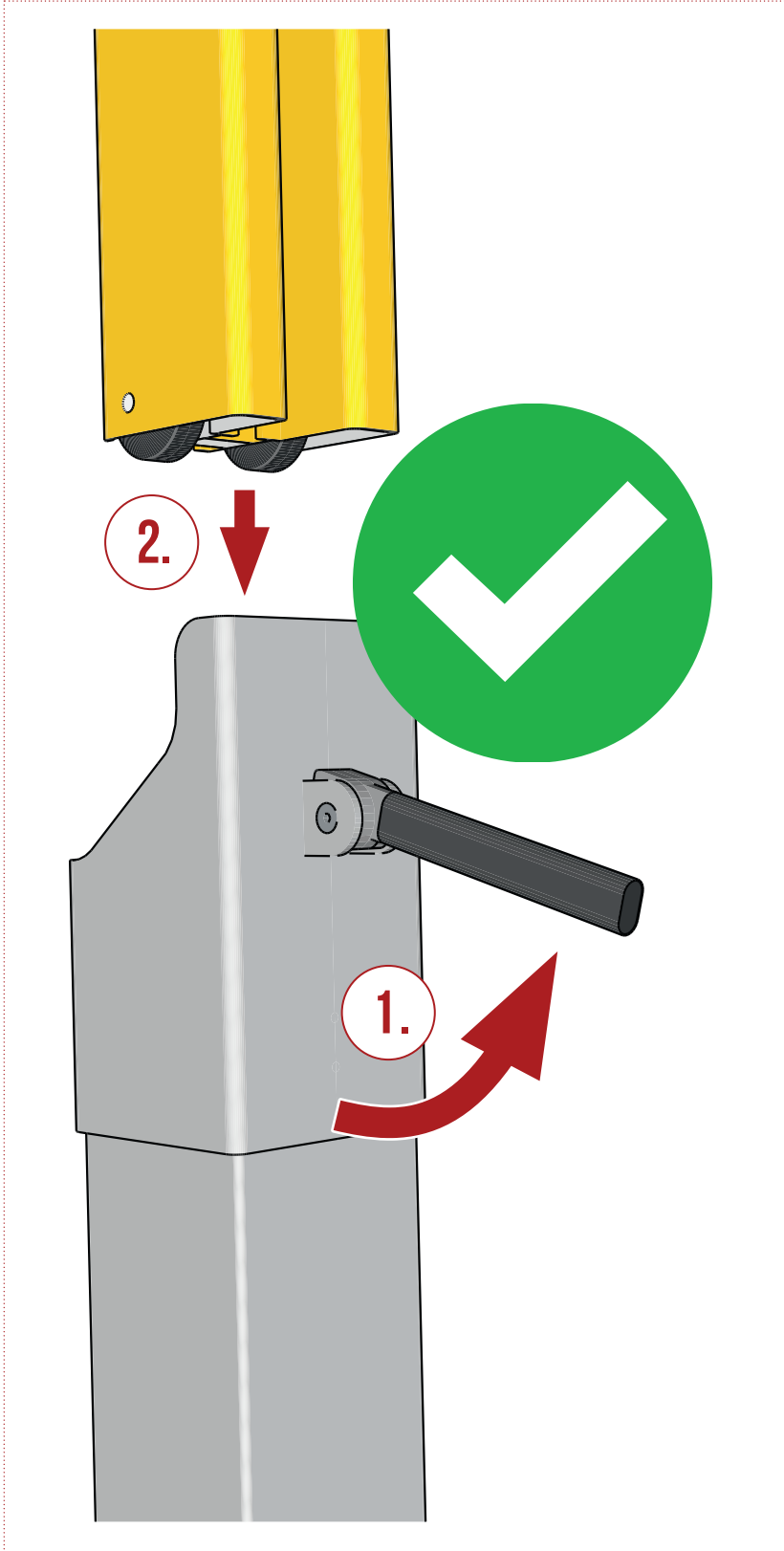


2X

Minimum sand level



# IMPORTANT NOTICE!





**FIXED**  
BOLT-DOWN ON A  
CONCRETE FOUNDATION



## GROUND INSTALLATION FOR ID: 111205

### General information on building a Beach Volleyball court with bolt-down socket:

We consider a permanent sand level of 40-50 cm as ideal. It is recommended to fill up the sand a little bit higher at the centres of the playing field halves. It will be moved away towards the court surrounds by the players. Please make sure to create a minimum sand level of 35 cm around the ground sockets for this installation option.

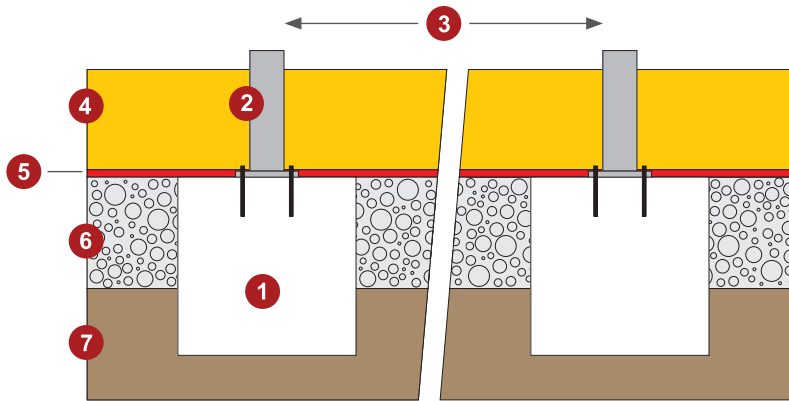
Example: Approximately 250 tons sand are required for a sand court with 14 x 22 m dimensions (for leisure sports) and a sand level of approximately 45 cm. Calculation: volume in m<sup>3</sup> x density factor (e.g.: 1,8 - depending on the grain size and the sand quality).

## MINIUM SAND LEVEL: 35 CM

Create foundations with a closed surface,

Distance (clear span between sockets): 10 m with a 8.5 m net, 11 m with a 9.5 m net

Distance between foundation midpoints: 10.10 m with 8.5 m net, 11.10 m with 9.5 m net

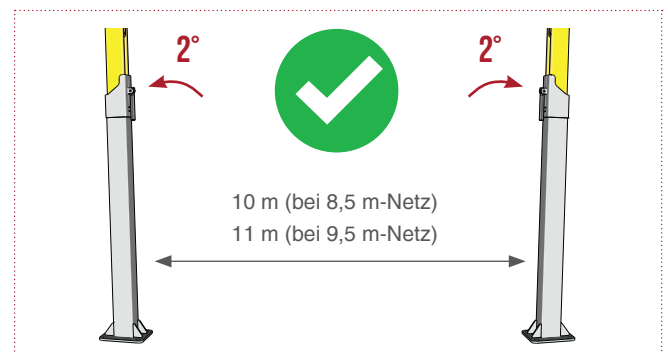
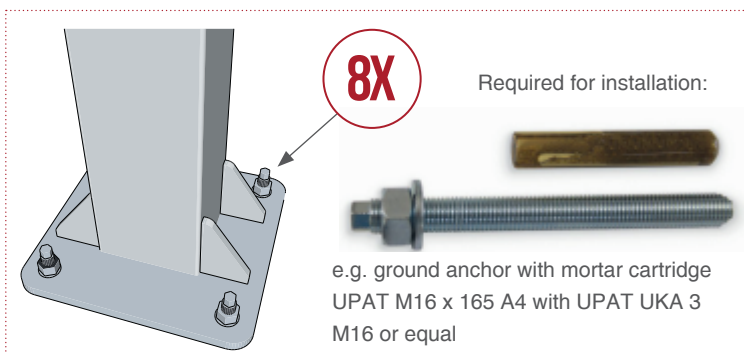


#### Description

- |   |  |
|---|--|
| 1 | Foundation, Dimensions: 80 x 80 x 80 cm, class C25/30, built-in welded wire fabric (Q188A)   |
| 2 | Ground socket, bolted down on the concrete foundation  |
| 3 | Distance (clear span): 10 m (with a 8.5 m net), 11 m (with a 9.5 m net)<br>Distance between foundation midpoints: 10.10 m with 8.5 m net, 11.10 m with 9.5 m net |
| 4 | Sand (minimum sand level: check red marking)   |
| 5 | Drainage matting/geomembrane   |
| 6 | Drainage/base layer, 50 cm approx.   |
| 7 | Soil   |

Screw down the sockets onto the foundation

The sockets are designed with a 2° sloping angle to the outwards





**FIXED**  
BOLT-DOWN ON A  
CONCRETE FOUNDATION



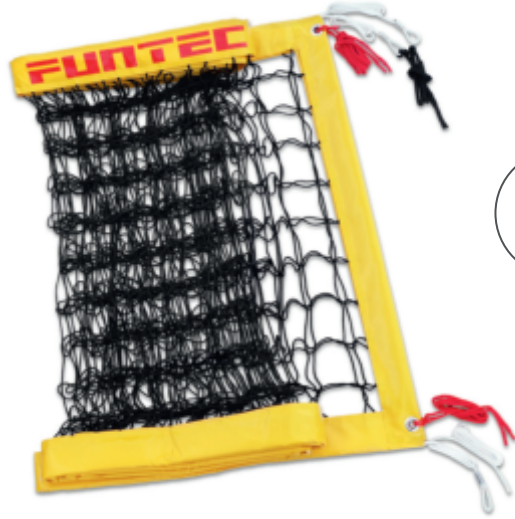
**ACCESSORIES FOR ID: 111205 (SOLD SEPARATELY)**

Steel ground anchor, with mortar cartridge, ID: 111213



**8X**

Pro Beach net PLUS, incl. net antennas PLUS (2-piece, with velcro strap pockets), ID: 111601



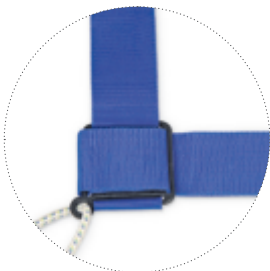
**1X**



Pro Beach Courtline  
ID: 111304



**1X**



Square-cut Beach Volley post pads (100 x 100 mm),  
1 pair, ID: 111353



**1X**





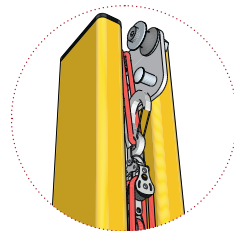
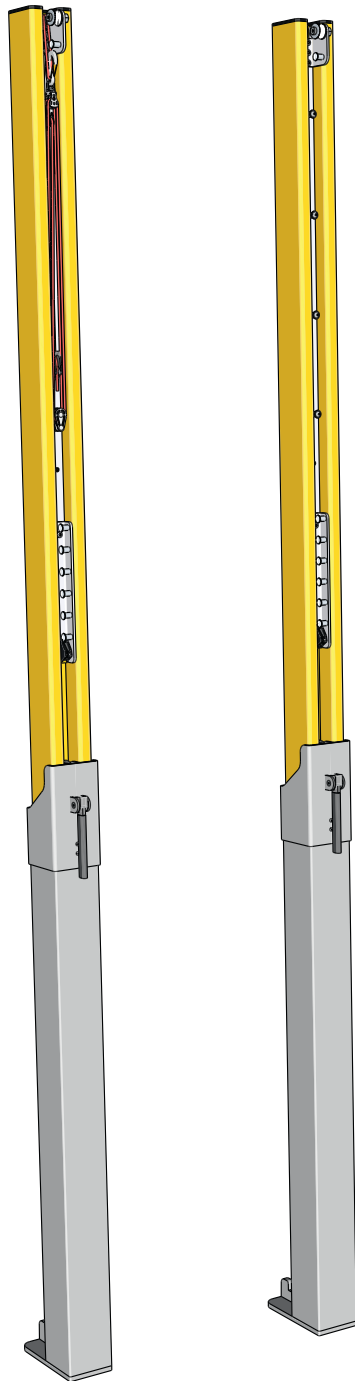
# BEACH VOLLEYBALL POSTS PRO BEACH

ID: 111204 - WITH REMOVABLE SOCKETS



**FLEXIBLE**  
REMOVABLE SOCKETS  
FOR A FREE SAND COURT

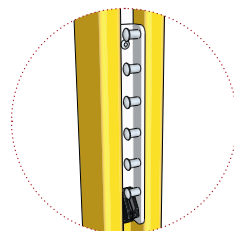
Pro Beach net posts made from powdercoated special aluminium profile (91 x 91 mm), telescopic height adjustment with special socket adapters



Single-arm suspension, allows easy mounting of tension cable

Rope pulley with triple block combination including a stainless steel carabiner with wire gate (for one-handed use)

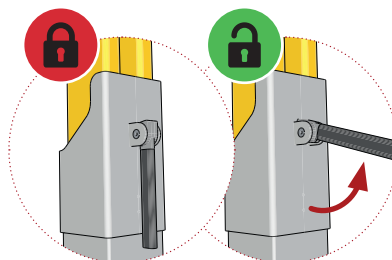
Pulley block system is self-balancing to pulling direction



Open tensioning console with horizontal pins for best choice of net cord angle

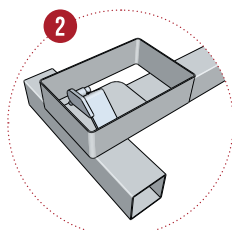
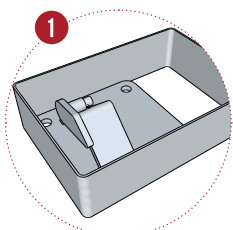
Includes an additional clamcleat below for comfortable fine adjustment of tensioning ropes

Tensioning counter slider with four mounting pins, ideal for choosing the best net pre-tension with differing cable lengths



Pro Beach sockets with easy-to-use locking lever

Maximum operation comfort with exact lever position (open/closed)



1 Switch bolt-down ground plate for a concrete foundation

2 Switch ground plate with T-base for a freestanding installation with square timbers

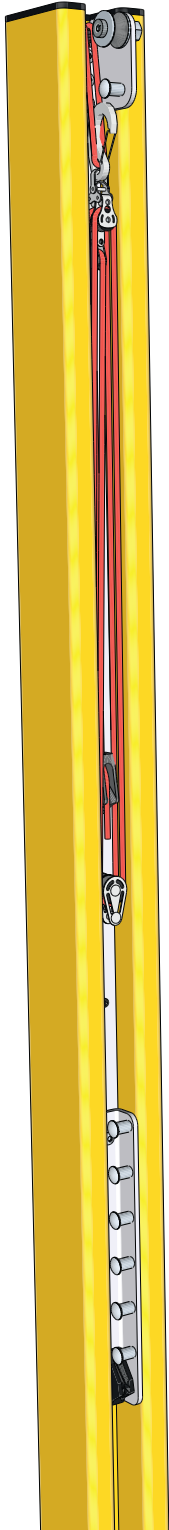


# SCOPE OF DELIVERY

ID: 111204

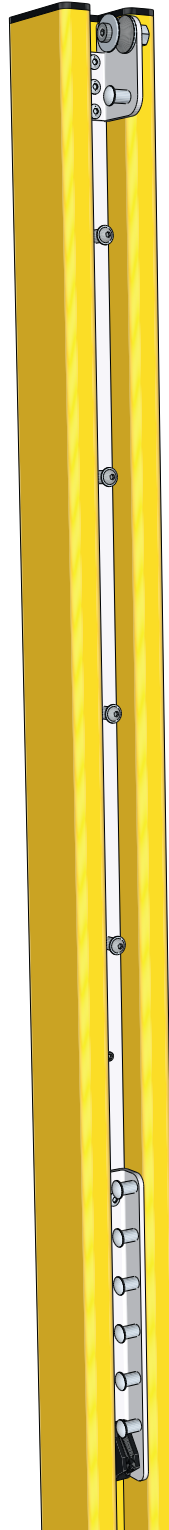


Net post with  
tackle tensioning slider



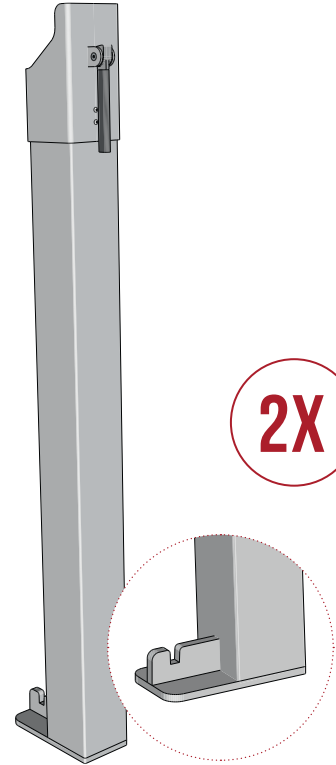
1X

Net post with  
tensioning counter slider



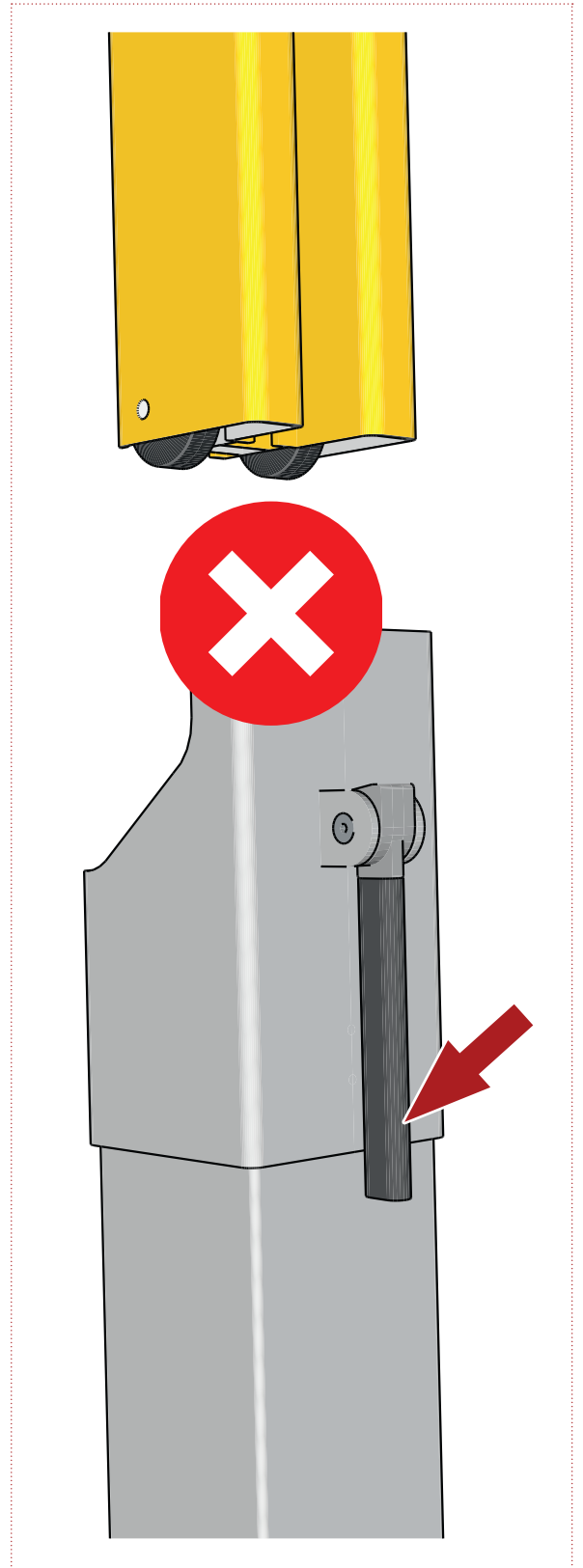
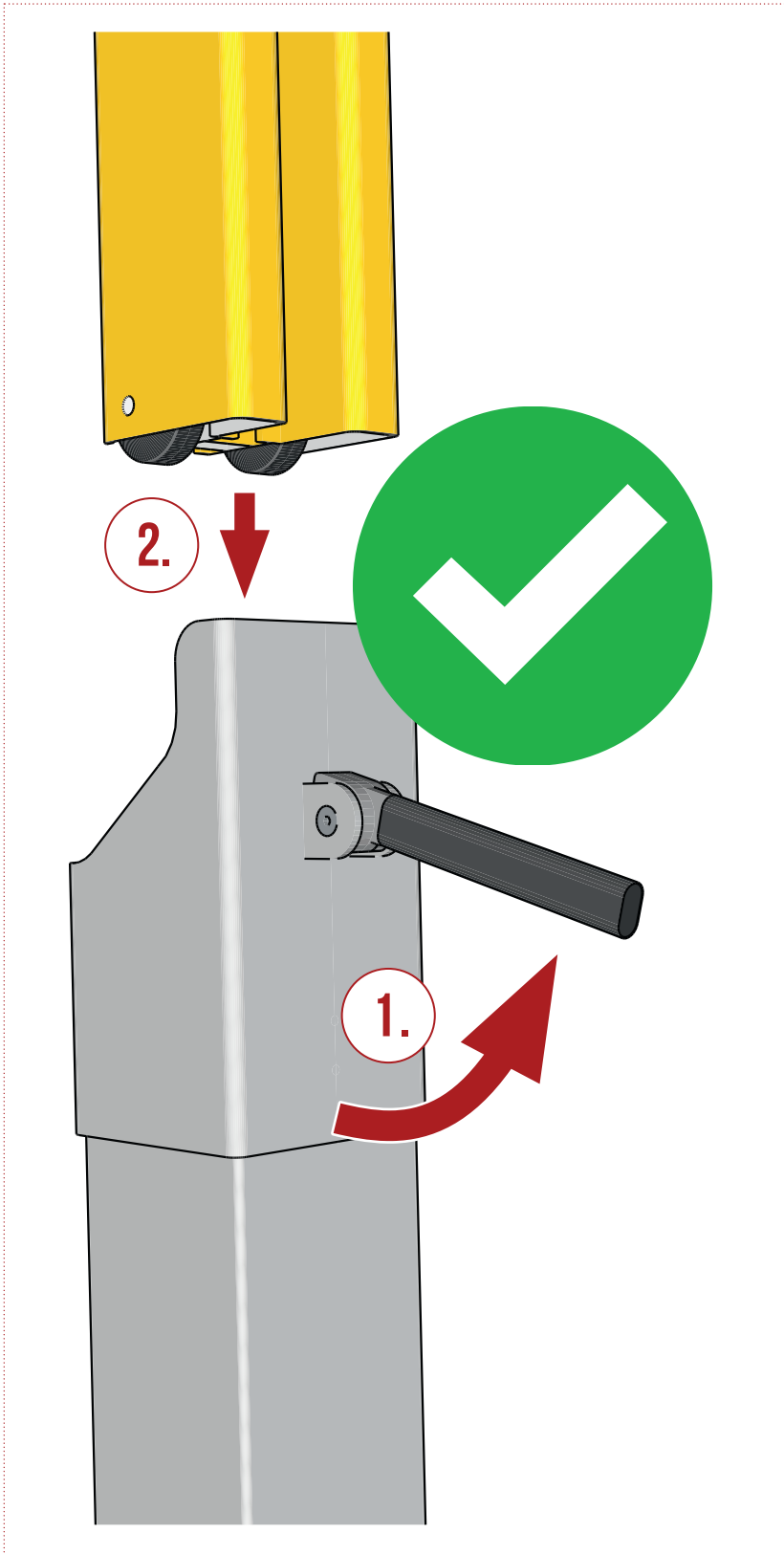
1X

Pro Beach socket, removable  
from suitable ground plate



2X

# IMPORTANT NOTICE!

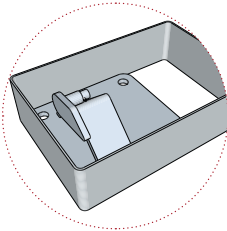


# GROUND INSTALLATION OPTIONS AND REQUIRED ACCESSORIES

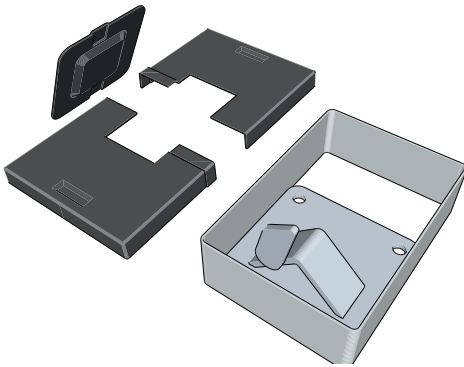
FOR ID: 111204



**FIXED**  
BOLT-DOWN ON A  
CONCRETE FOUNDATION



Switch bolt-down ground plate, incl. sand protection frame and a 3-piece steel cover lid, ID: 111219



2X

+

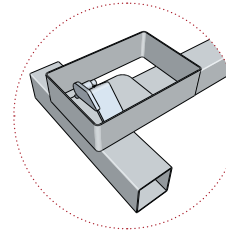
Steel ground anchor, with mortar cartridge, ID: 111213



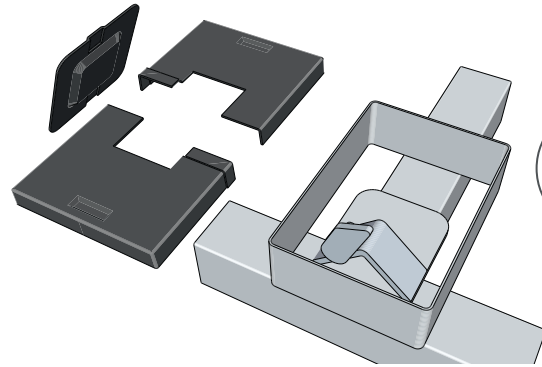
8X



**FREESTANDING**  
INSTALLATION WITH  
SQUARE TIMBER BEAMS



Switch ground plate with T-base, incl. sand protection frame and a 3-piece steel cover lid, ID: 111220



2X

+

Square timber set  
ID: 111232



1X





**FIXED**  
BOLT-DOWN ON A  
CONCRETE FOUNDATION

+



**FLEXIBLE**  
REMOVABLE SOCKETS  
FOR A FREE SAND COURT



## GROUND INSTALLATION OPTION FOR ID: 111204

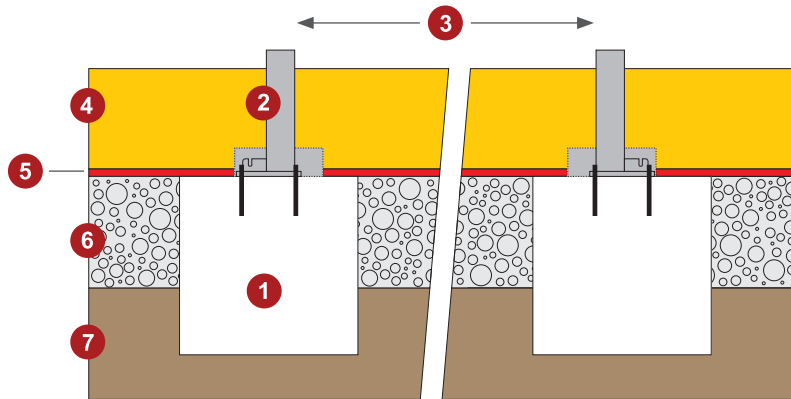
### General information on building a Beach Volleyball court with bolt-down socket:

We consider a permanent sand level of 40-50 cm as ideal. It is recommended to fill up the sand a little bit higher at the centres of the playing field halves. It will be moved away towards the court surrounds by the players. Please make sure to create a minimum sand level of 30 cm around the ground sockets for this installation option.

Example: Approximately 250 tons sand are required for a sand court with 14 x 22 m dimensions (for leisure sports) and a sand level of approximately 45 cm. Calculation: volume in m<sup>3</sup> x density factor (e.g.: 1,8 - depending on the grain size and the sand quality).

## MINIMUM SAND LEVEL: 30 CM

Create foundations with a closed surface,  
Distance (clear span between sockets): 10 m with a 8.5 m net, 11 m with a 9.5 m net



#### Description

- |   |  |
|---|--|
| 1 | Foundation, Dimensions: 80 x 80 x 80 cm, class C25/30, built-in welded wire fabric (Q188A)   |
| 2 | Ground socket, bolted down on the concrete foundation  |
| 3 | Distance (clear span): 10 m (with a 8.5 m net), 11 m (with a 9.5 m net)<br>Distance between foundation midpoints: 10.10 m with 8.5 m net, 11.10 m with 9.5 m net |
| 4 | Sand (minimum sand level: check red marking)   |
| 5 | Drainage matting/geomembrane   |
| 6 | Drainage/base layer, 50 cm approx.   |
| 7 | Soil   |



**FIXED**  
BOLT-DOWN ON A  
CONCRETE FOUNDATION

+

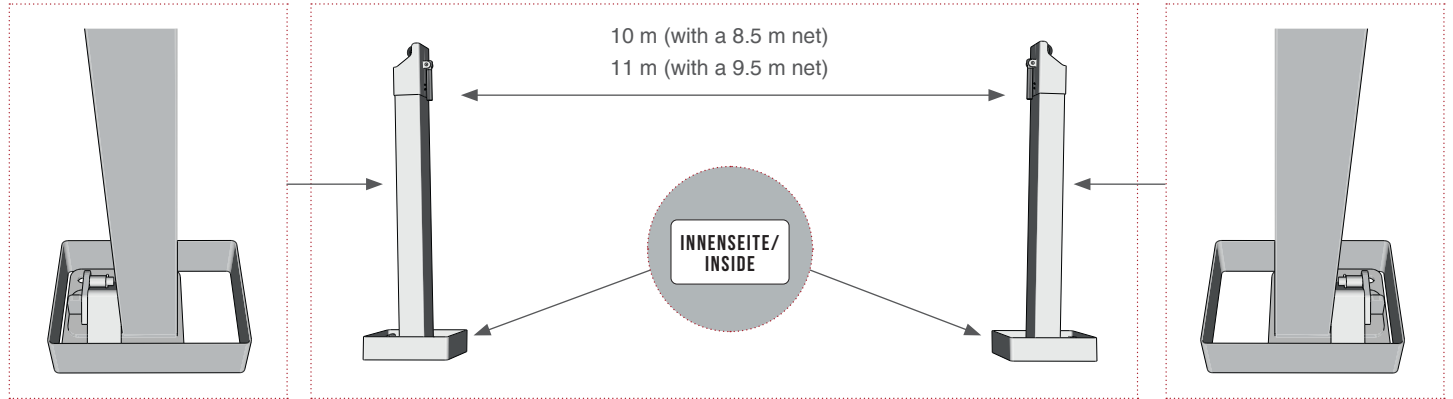


**FLEXIBLE**  
REMOVABLE SOCKETS  
FOR A FREE SAND COURT

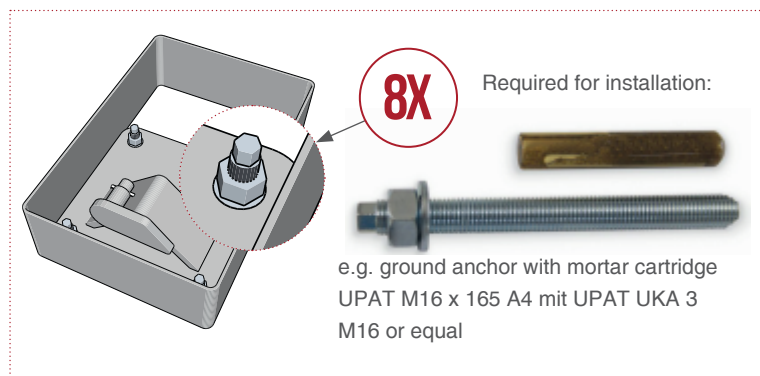


## GROUND INSTALLATION OPTION FOR ID: 111204

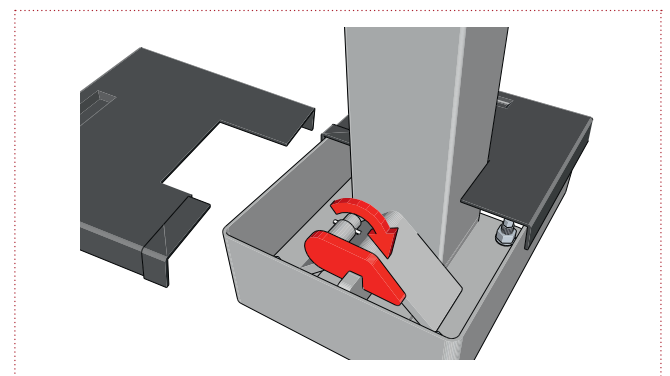
### Distance and orientation of ground plates



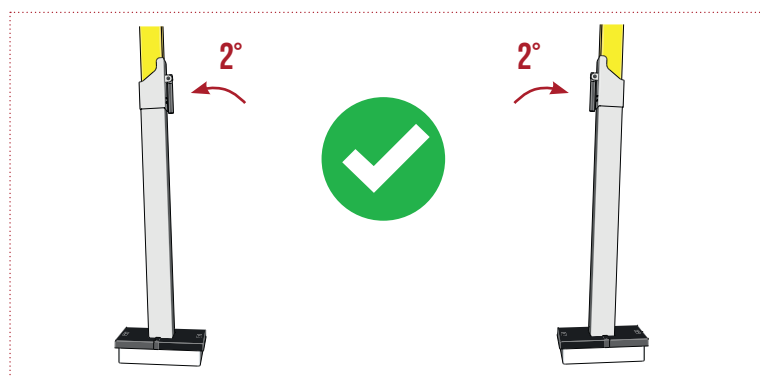
### Screw down the ground plates onto the foundation



### Close safety trap and install lid cover



### The sockets are designed with a 2° sloping angle to the outwards





**FREESTANDING**  
INSTALLATION WITH  
SQUARE TIMBER BEAMS

+



**FLEXIBLE**  
REMOVABLE SOCKETS  
FOR A FREE SAND COURT



## GROUND INSTALLATION OPTION FOR ID: 111204

### General information on building a Beach Volleyball court with City Beach ground plates:

When building a sand court we suggest to fill up the sand first of all. Afterwards you can just dig in the City Beach ground sockets and set up the net system.

We consider a permanent sand level of 40-50 cm as ideal. It is recommended to fill up the sand a little bit higher at the centres of the playing field halves. It will be moved away towards the court surrounds by the players. Please make sure to create a minimum sand level of 40 cm around the ground sockets for this installation option.

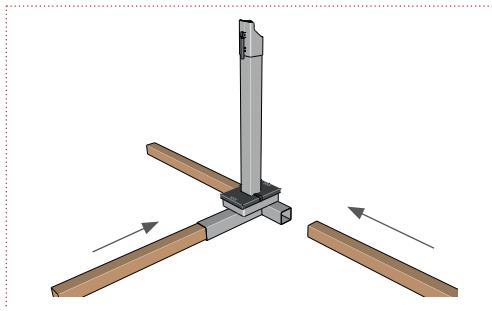
Example: Approximately 250 tons sand are required for a sand court with 14 x 22 m dimensions (for leisure sports) and a sand level of approximately 45 cm. Calculation: volume in m<sup>3</sup> x density factor (e.g.: 1,8 - depending on the grain size and the sand quality).

## MINIMUM SAND LEVEL: 40 CM

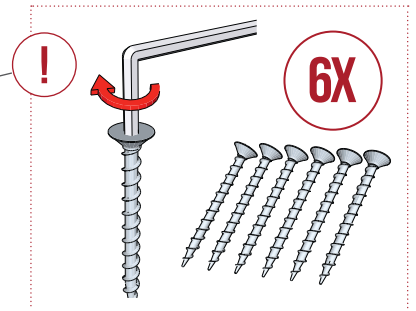
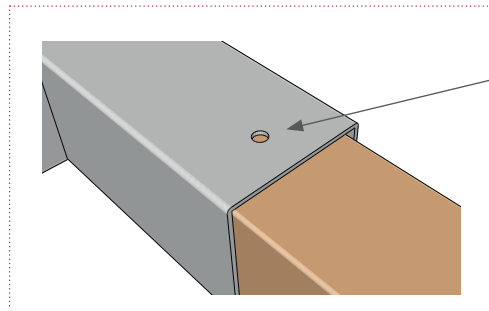
### Required for assembly:

Pressure-treated square timbers, 6 pieces, each 1500 x 88 x 88 mm (maximum dimensions: 1500 x 90 x 90 mm), suitable for permanent ground contact

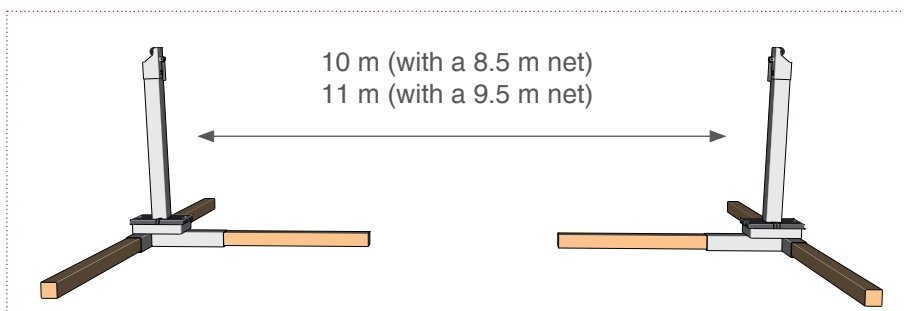
Insert square timbers into T-base



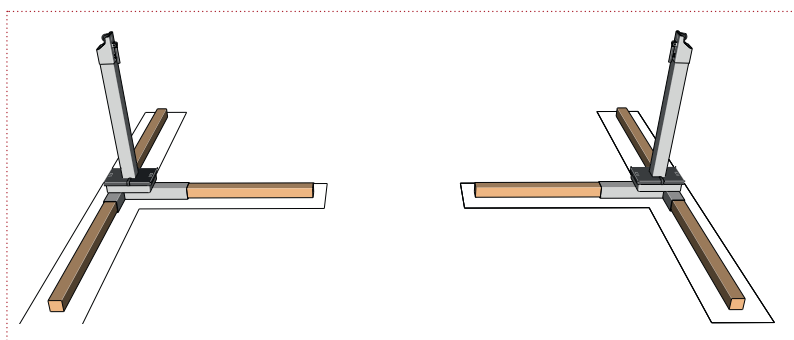
Secure with suitable screws



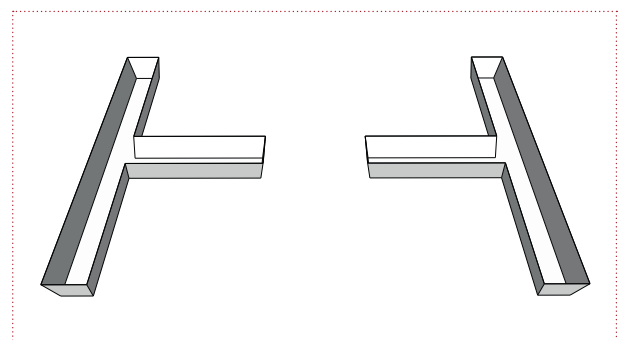
BSet into position: ground sockets together with inserted square timbers



Mark the outline of the square timbers



Make excavations according to outlines





**FREESTANDING**  
INSTALLATION WITH  
SQUARE TIMBER BEAMS

+

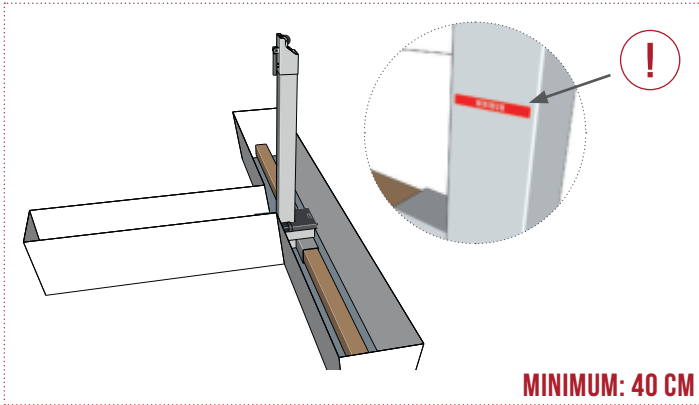


**FLEXIBLE**  
REMOVABLE SOCKETS  
FOR A FREE SAND COURT

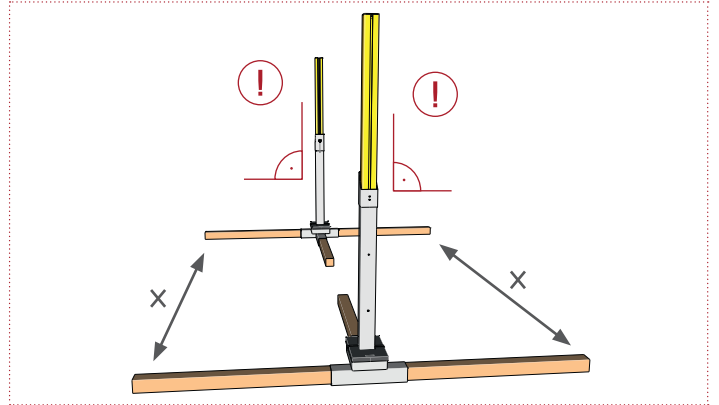


## GROUND INSTALLATION OPTION FOR ID: 111204

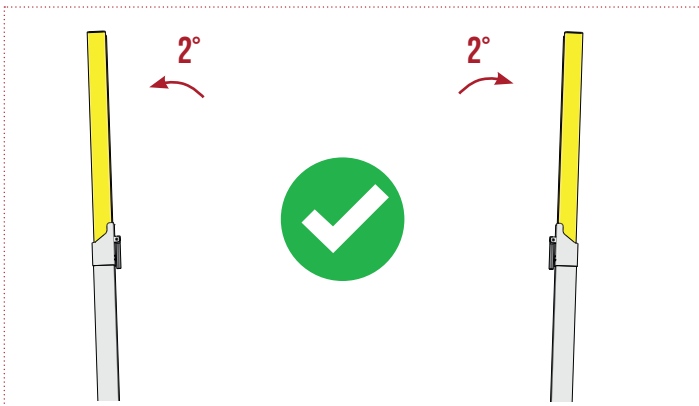
Set ground sockets with timbers into excavation; be careful not to step onto the borders of the excavation



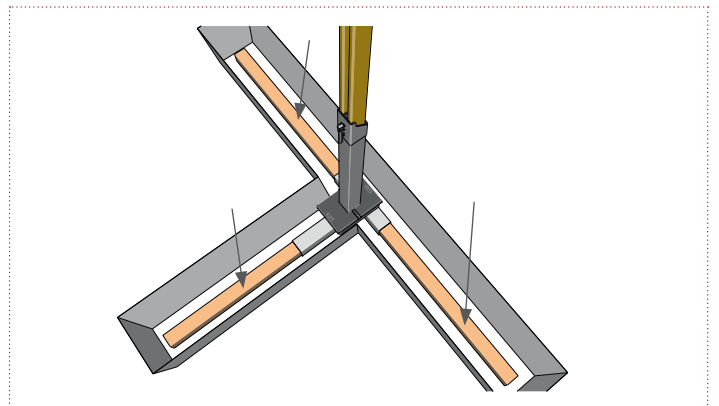
Align the sockets with each other - inserting the net poles will be helpful



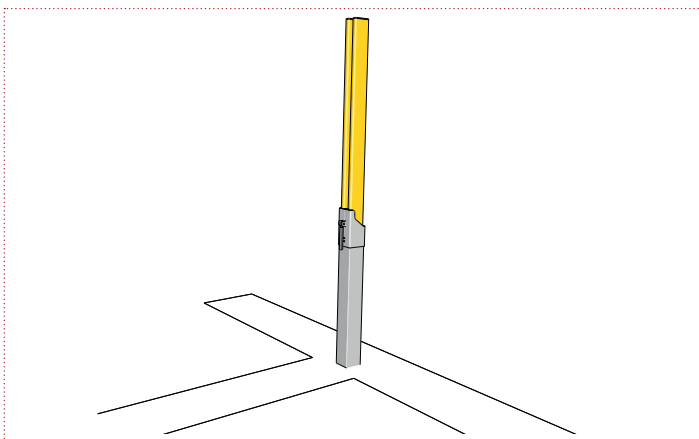
The sockets are designed with a 2° sloping angle to the outwards



Step on the timbers to press them firmly into the sand



Fill up the excavation  
(Be careful not to move the timbers when doing this!)



# ACCESSORIES (SOLD SEPARATELY)

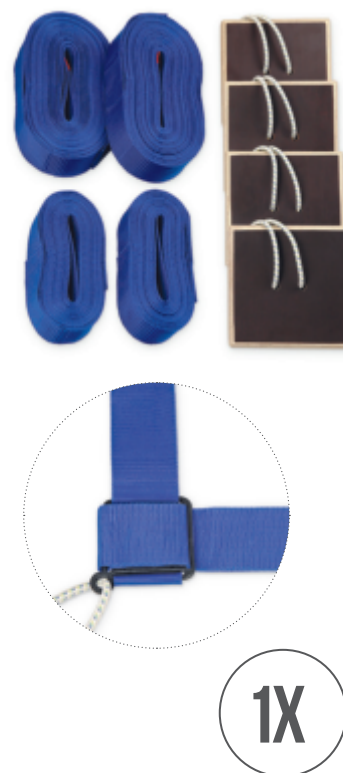
FOR ID: 111204



Pro Beach net PLUS, incl. net antennas PLUS  
(2-piece, with velcro strap pockets), ID: 111601



Pro Beach Courtline  
ID: 111304



Square-cut Beach Volley post pads (100 x 100 mm),  
1 pair, ID: 111353

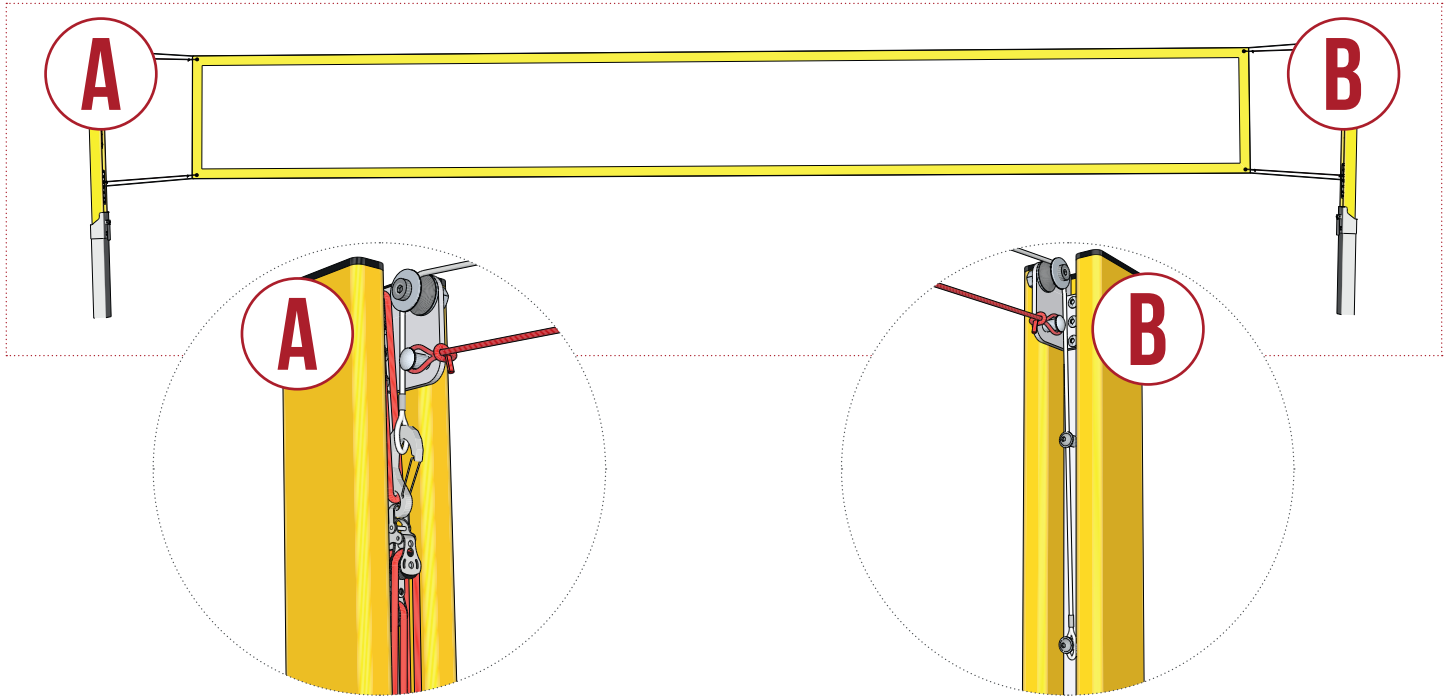




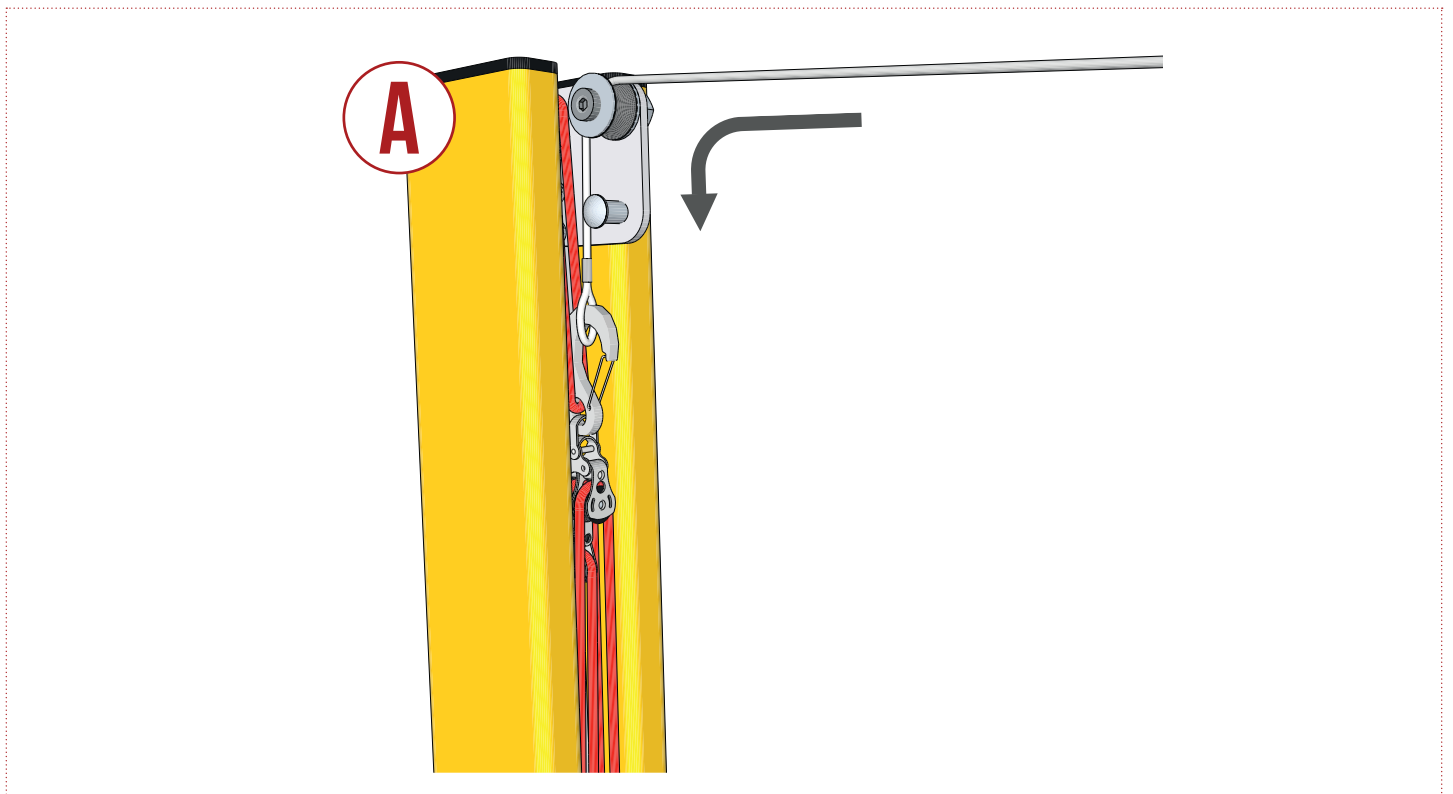


# BEACH VOLLEYBALL POSTS PRO BEACH

## NET INSTALLATION



Connect head band net cable to carabiner of tackle tensioning system



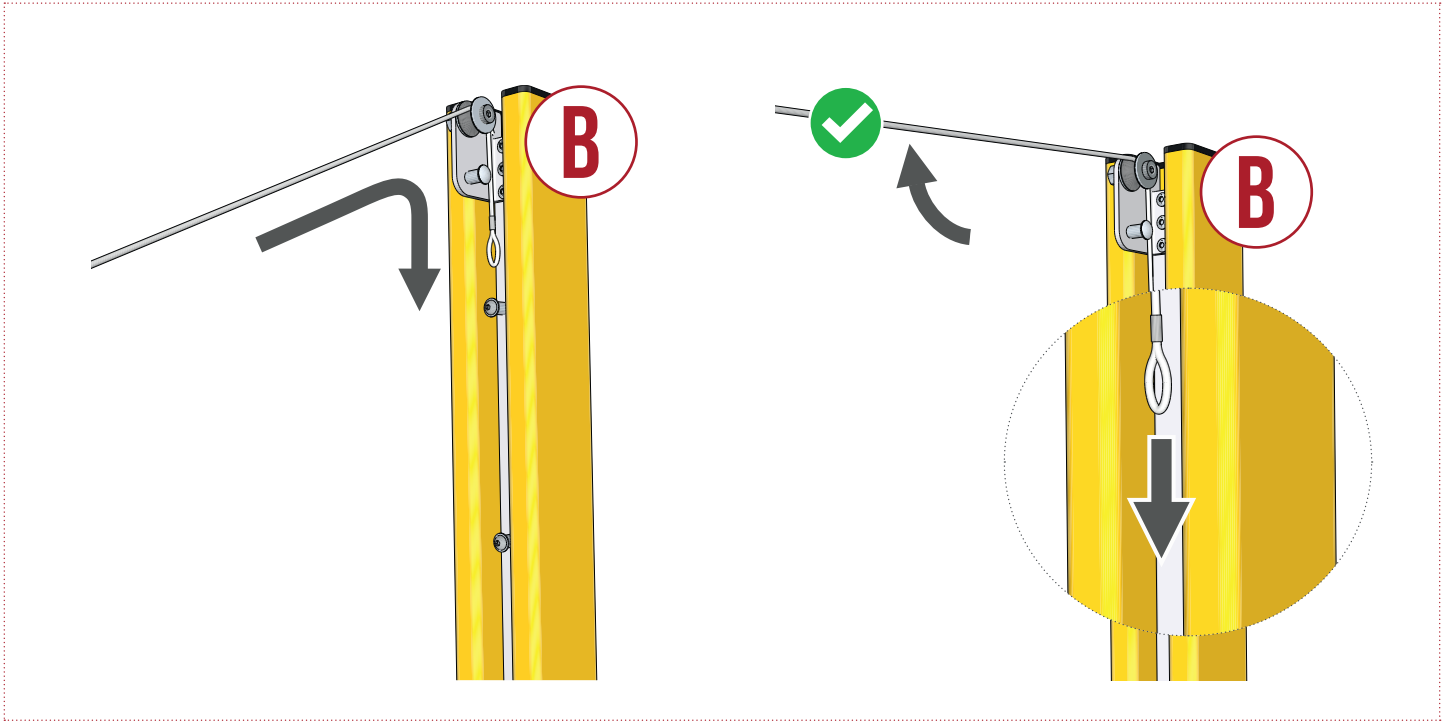
# BEACH VOLLEYBALL POSTS PRO BEACH

## NET INSTALLATION

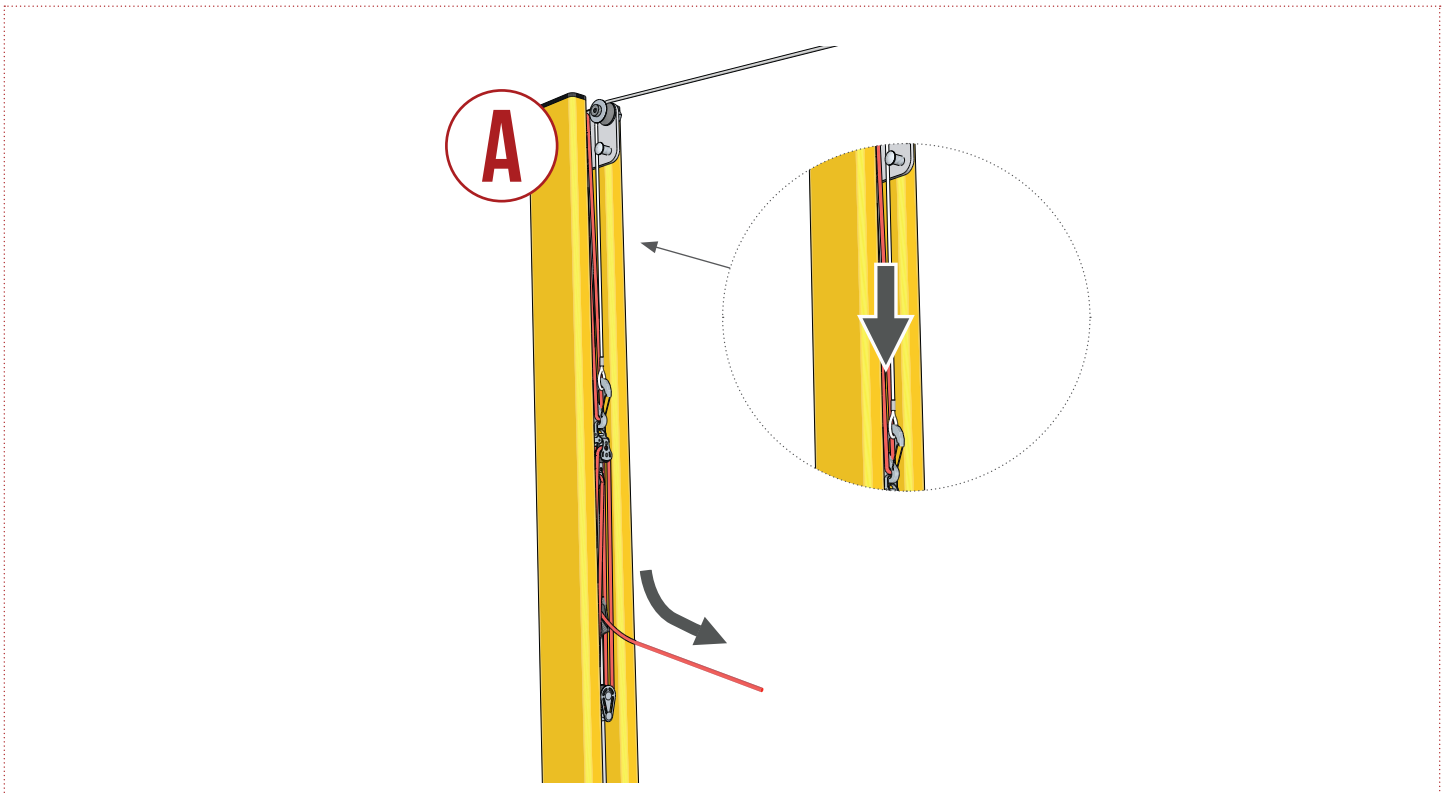


Install net cable to opposite side

Be sure to put on a good pre-tension



Pull the tackle rope to achieve the required net tension

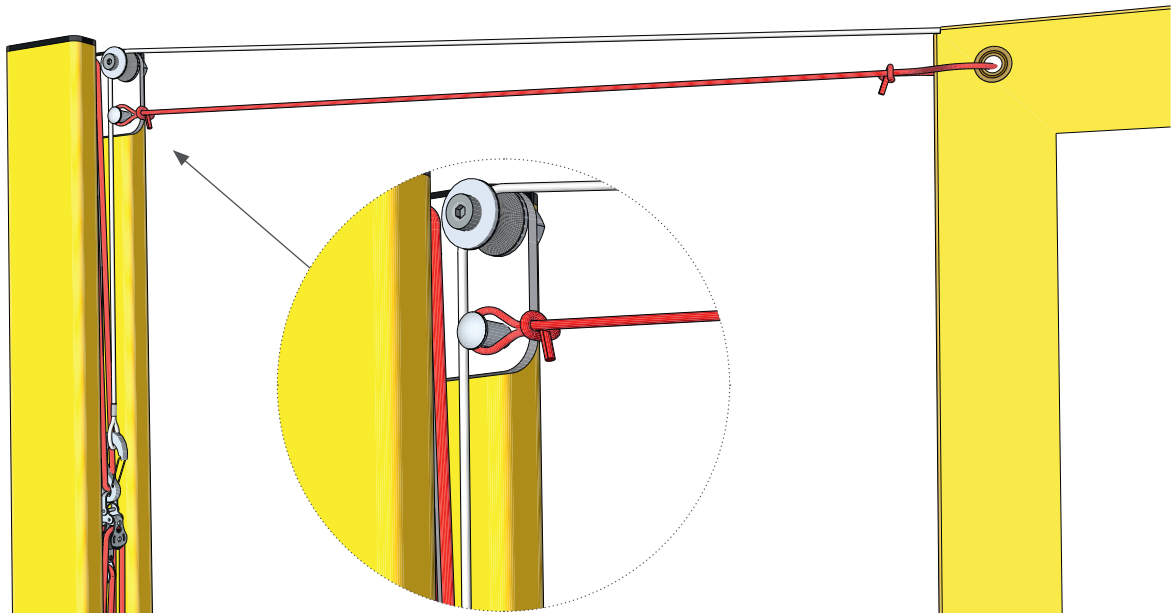


# BEACH VOLLEYBALL POSTS PRO BEACH

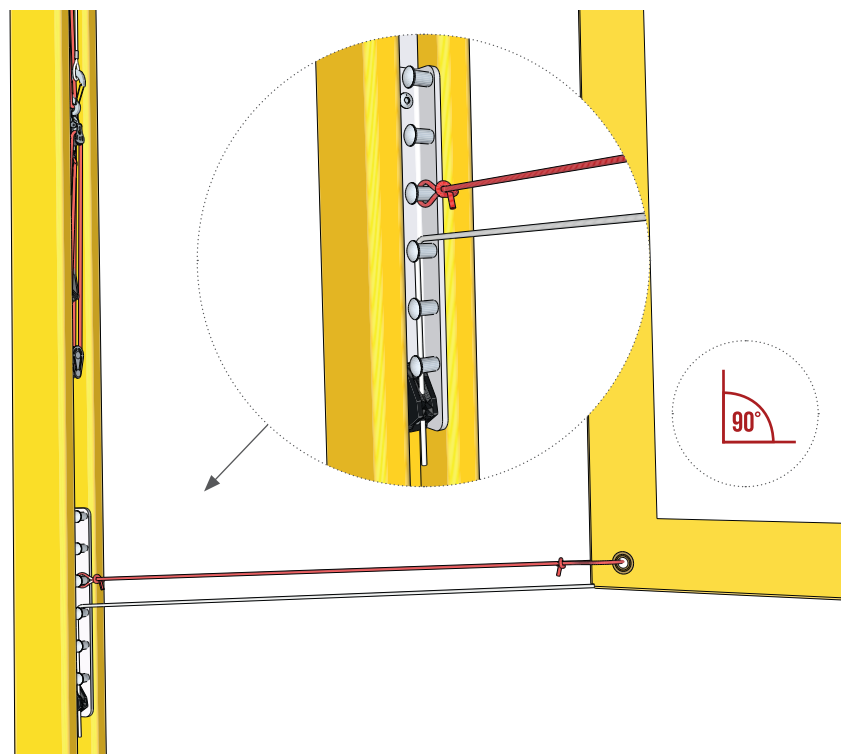
## NET INSTALLATION



On each side: use red ropes to centre the net between the posts



On each side: tighten the bottom net cord and bring the net into a vertical position

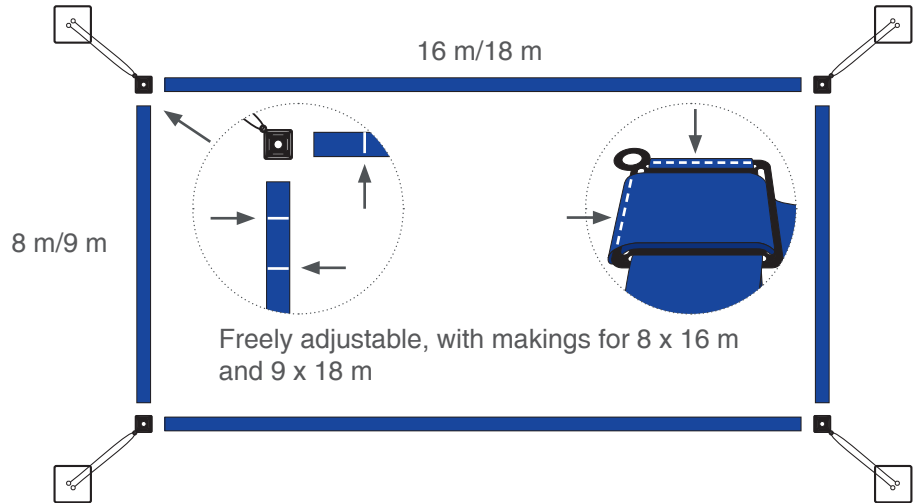
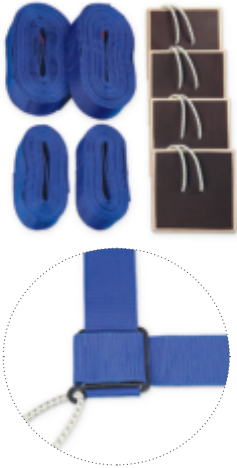


# ASSEMBLY OF COURTLINE

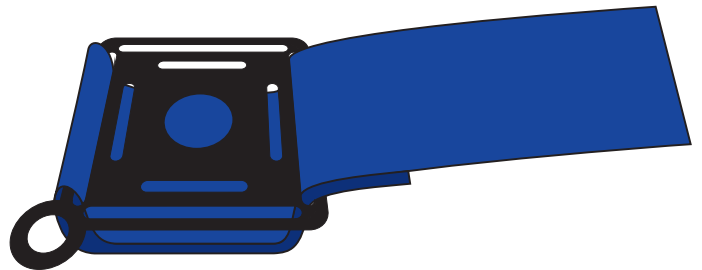
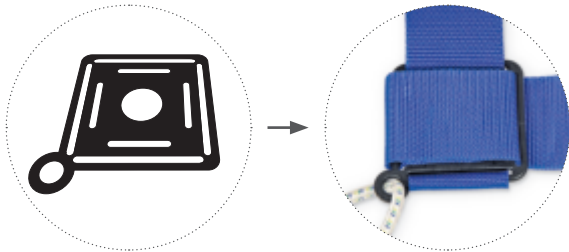
ID: 111304



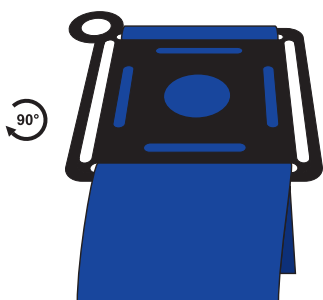
Pro Beach Courtline  
ID: 111304



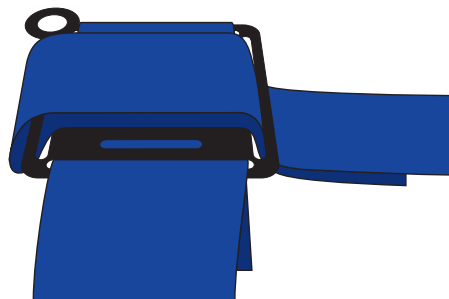
Thread strap through at the bottom side



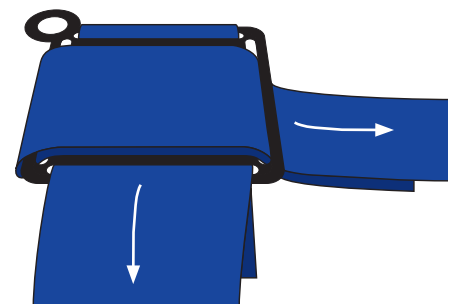
Turn by 90 degrees



Thread through at the top

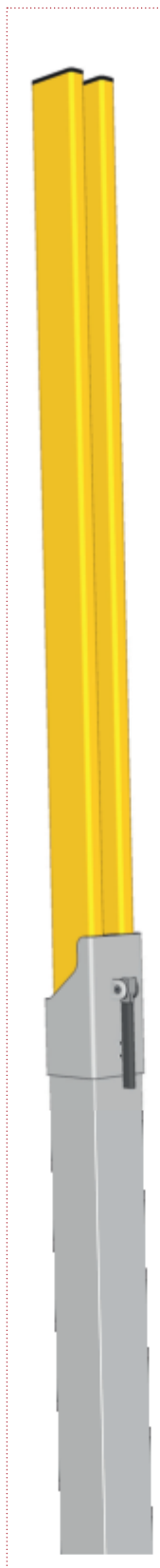


Tighten the straps



# BEACH VOLLEYBALL POSTS PRO BEACH

## SPARE PARTS



No.	Description	ID
1	Tackle tensioning slider for Pro Beach posts	206-200
2	Elastic cord, 8 mm diameter, colour: red	206-215
3	Top-block with stainless steel carabiner	206-217
4	Tackle tensioning cord, made from Polyester	206-218
5	Tensioning counter slider for Pro Beach posts	206-300

# BEACH VOLLEYBALL POSTS PRO BEACH

## EC DECLARATION OF CONFORMITY

### According to the EU Machinery Directive 2006/42/EG, Annex I

we declare that the below described machines fulfil all relevant provisions of the EU Machinery Directive 2006/42/EG, Annex I. This declaration of EC conformity will become void if the machine is subject to any modification that has not been approved by us.

### Manufacturer:

FUNTEC Sports GmbH  
Löhestr. 25  
53773 Hennef  
GERMANY

### Description and identification of the machine:

- Function: This machine is a Volleyball net post system for outdoor use. The main net post is being supplied together with a specially designed socket adapter that allows the post to slide up and down once the post has been inserted into the socket. The socket is equipped with an elastic cord that is being tensioned by the weight of the net post.
- Model: 111206 – Beach Volleyball posts Pro Beach (CB = City Beach), with freestanding sockets (for use with square timber beams)
- Model: 111205 – Beach Volleyball posts Pro Beach (BD = Bolt Down), with bolt-down sockets (for an installation on a concrete foundation)
- Model: 111204 – Beach Volleyball posts Pro Beach (S = Switch), with removable sockets

### Applied harmonized standards:

- DIN 33957: Playing field equipment - Beach sports equipment - Requirements and test methods
- DIN EN 1271: Playing field equipment - Volleyball equipment - Functional and safety requirements, test methods; German version EN 1271:2014

### Authorised representative for technical documentation:

Gregor Bornhoff – FUNTEC Sports GmbH, Löhestr. 25, 53773 Hennef

### City/Date:

Hennef, 01.01.2020

### Authorised representative:



Gregor Bornhoff (authorised representative)

**FUNTEC**