

—Installation Instructions—  
***QMPW-089***

## Parts List

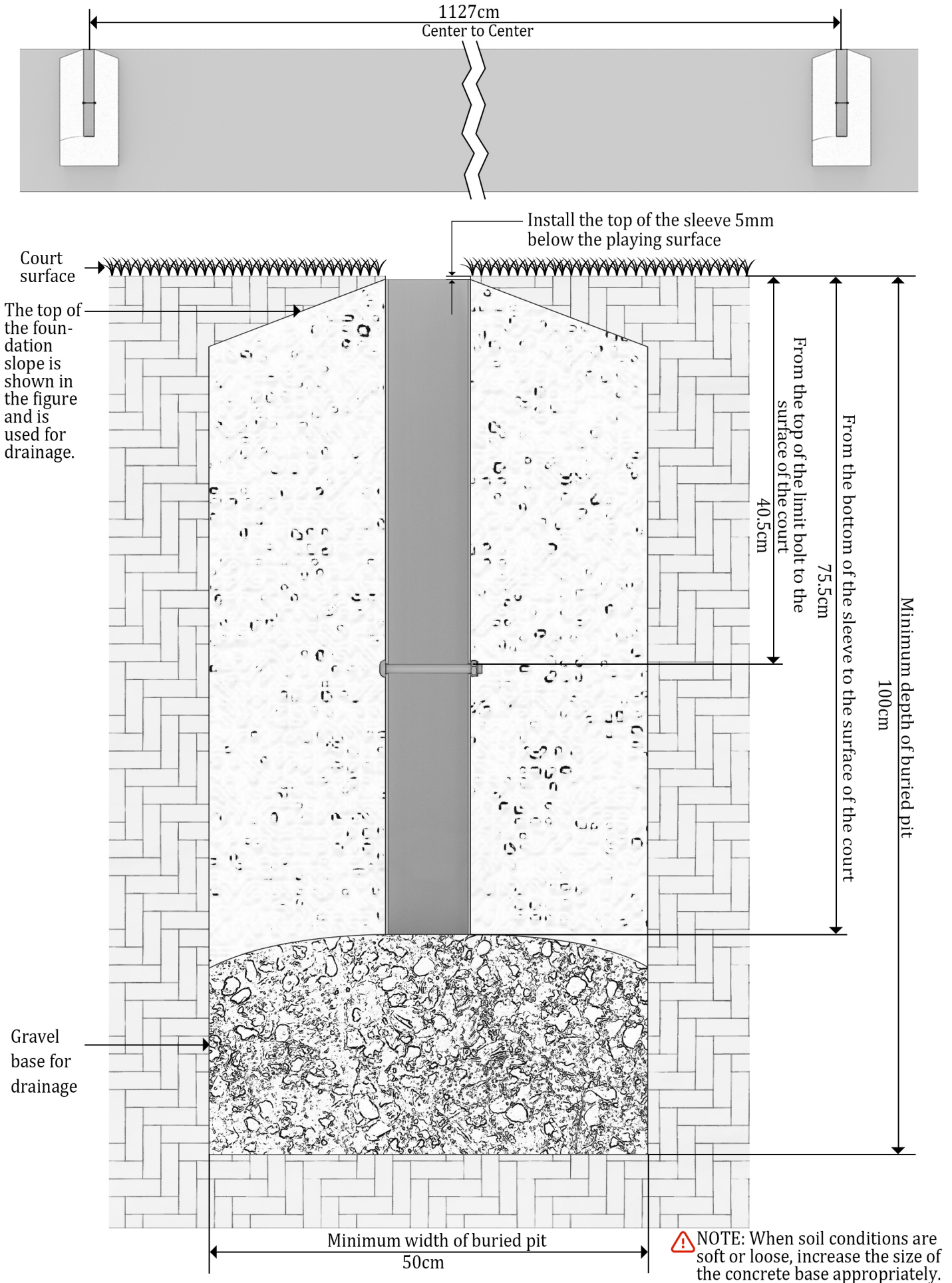
No.	Part name	Specification	Unit
1	Upright A (with tensioner)	1	piece
2	Upright B (without tensioner)	1	piece
3	Crank	1	piece
4	Volleyball Net(With support pole)	1	piece
5	Marker pole (including marker tape)	1	set
6	Side Locking Rope	8	piece
7	Net Locking Part	8	piece
8	Velcro Band	1	piece
9	Embedded sleeve	2	piece
10	padlock	1	piece

## Precautions

1. Do not over-tighten the volleyball net, which may damage the posts and void any written or implied warranty.
2. Do not attempt to unscrew the top screws of the sliding sleeves or adjust the height while the net is under tension, which may cause damage to the equipment or personal injury.
3. The risk of injury can be greatly reduced, although not completely eliminated, by following proper safety regulations, proper maintenance, and safety inspections.
4. Do not attempt to lift or install posts without assistance.
5. Before each use, inspect the equipment for wear, loose fittings, damage, and stability. Replace any defective or worn parts immediately. If in doubt, stop using the equipment before repairing it.
6. Lubricate the gear mechanism on the tensioning winch regularly (at least twice a year) to minimize wear and ensure proper operation.

**STEP1**

The construction dimensions of the embedded pit are shown in the figure below.

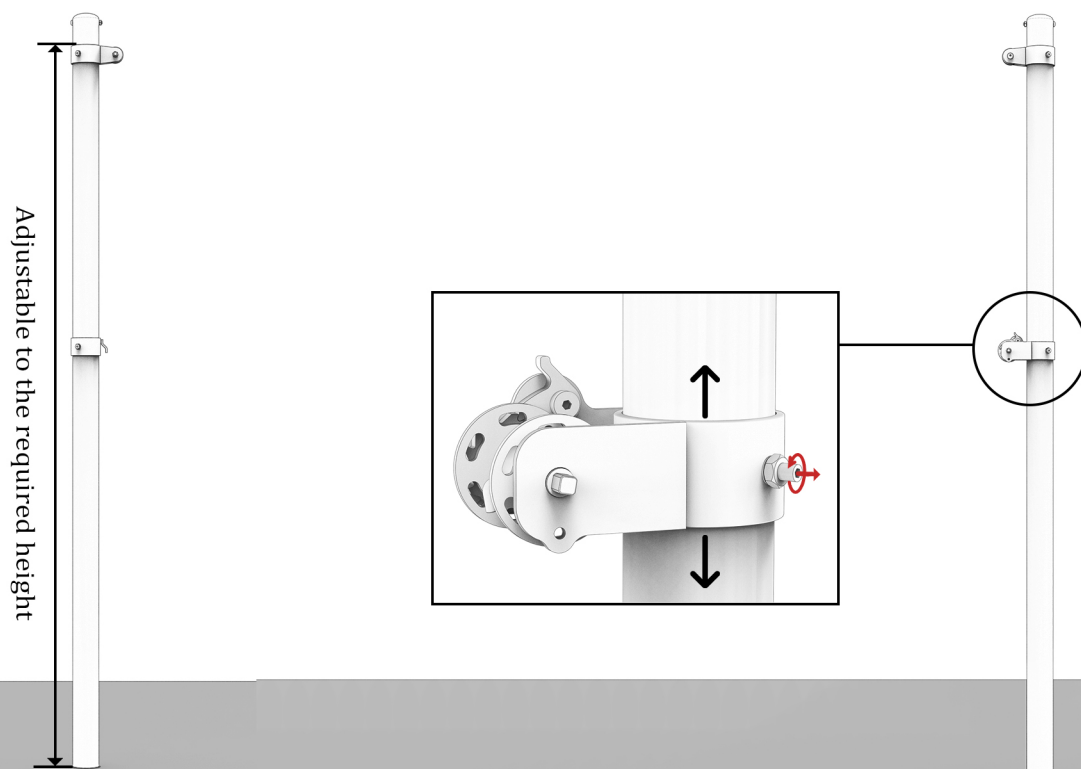


**STEP2**

After the concrete is completely solidified, place the volleyball post into the embedded parts.

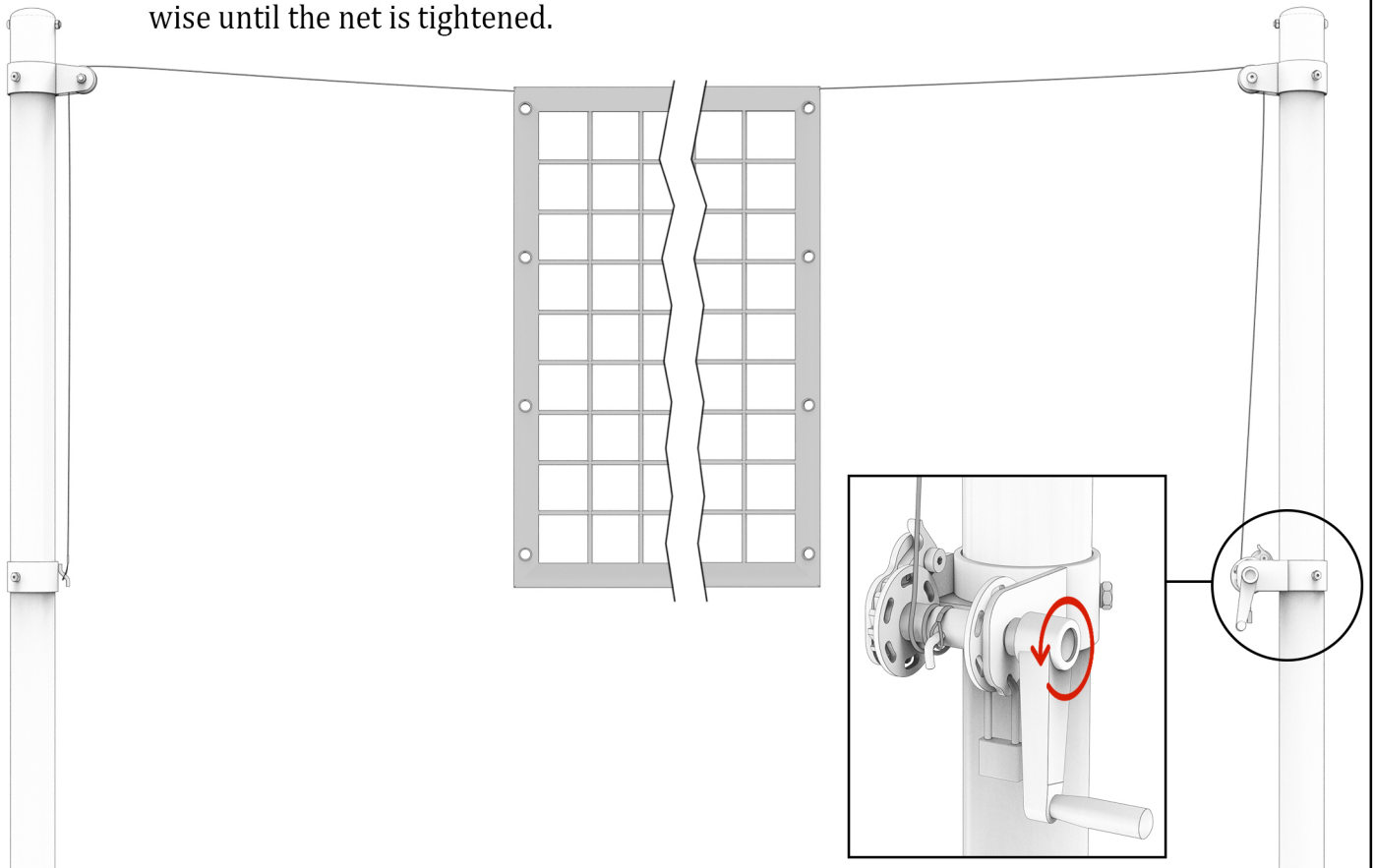
**STEP3**

Use an Allen wrench to unscrew the top screw on the sleeve and adjust the sleeve to the required height for the competition. This step requires the use of a tape measure or other measuring tools to assist.

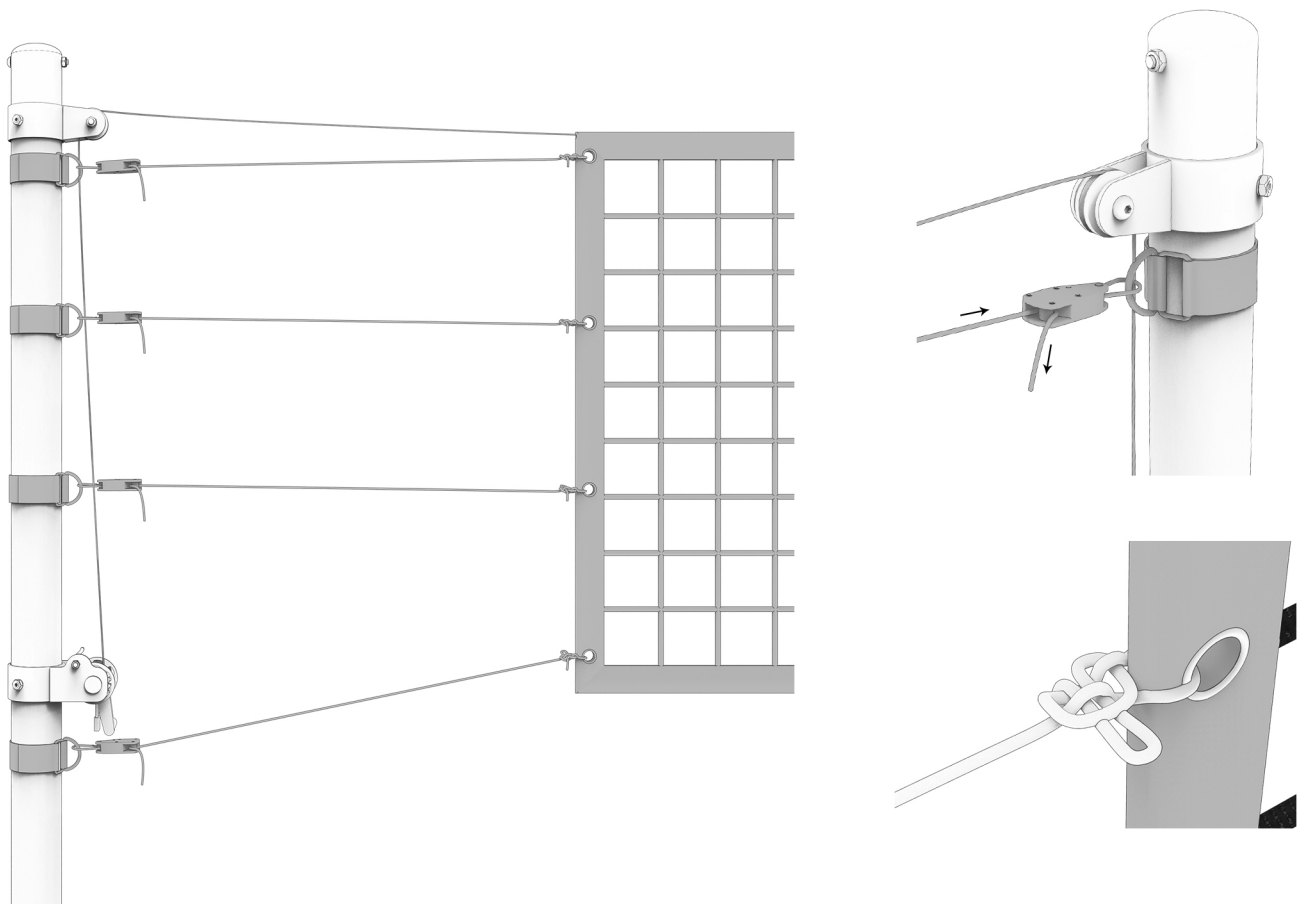


**STEP4**

Pass the steel wire at the top of the net through the pulleys on both sides, fix one side on the rope hook and the other side on the tightener hook, and turn the tightener counterclockwise until the net is tightened.

**STEP5**

As shown in the figure below, insert the support rods on both sides of the net and use the side pull ropes to tighten the net.



**STEP 6**

Attach a volleyball marker post to the net with Velcro to make it easier to spot fouls. Volleyball marker posts mark out-of-bounds lines and help spotters call fouls.

