

# Installation Instructions

## *QML-C04*

Please read carefully before use



## PRODUCT DESCRIPTION

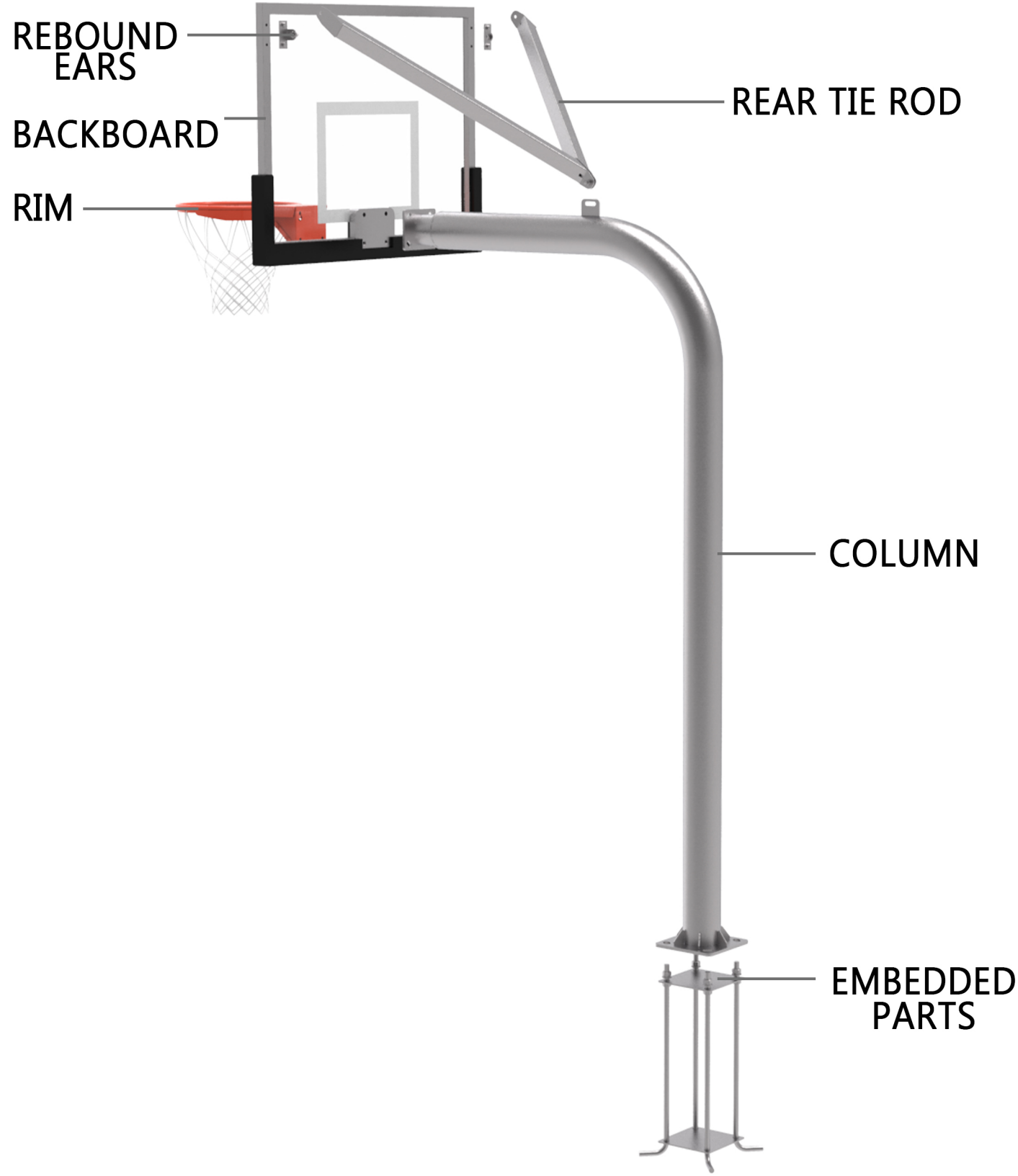
This product is a streetball king basketball stand, equipped with a 1200×900×10mm tempered glass backboard and a new national standard basket made of  $\varnothing 20$  solid round steel. The column is made of 140mm galvanized round tube, the arm length is 1.22m, and the basket height is 2.6m. This product has strong impact resistance, high transparency of tempered glass, strong durability, flatness and safety. The craftsmanship is bright in color, beautiful in appearance, good in hardness, and not easy to fade.

## CAUTIONS

- Before installation, please refer to the details of the main components of the basketball stand and remove all packaging. The installation process must be careful to avoid bumps and injuries. If conditions permit, a cordon can be set up on site to ensure that the construction is carried out safely and orderly.
  - After debugging is completed, all nuts must be tightened before it can be put into use.
  - It is forbidden to hit the backboard with hard objects or other sharp objects to avoid damage to the backboard.
  - The firmness of the connection of each part of the basketball stand should be checked regularly. If looseness is found, the connector should be tightened or the parts should be replaced immediately.
  - The degree of rust and firmness of the connection parts of the basketball stand should be checked regularly every year. If any abnormal phenomenon is found in the use of the basketball stand, please stop using it immediately and check and repair it before using it.
  - Once the paint on the surface of the basketball stand is found to be peeling off, it should be maintained and painted in time to prevent the service life of the basketball stand from being shortened due to rust.
  - It is strictly forbidden to hang, climb and other dangerous behaviors on the basketball stand to prevent accidents and ensure the personal safety of users.
  - Users should arrange the intensity of exercise reasonably according to their physical condition. If you feel uncomfortable during exercise, you should stop exercising immediately to avoid accidents.
-



# PARTS DIAGRAM



## PARTS



M10Nuts  
(2pcs)



M10Spring pad  
(6pcs)



M10\*20  
(4pcs)



M10\*30  
(2pcs)



M12\*50  
(1pcs)



M10\*80  
(4pcs)



M10Flat Washer  
(12pcs)



M10Lock nut  
(4pcs)



M12Nuts  
(1pcs)



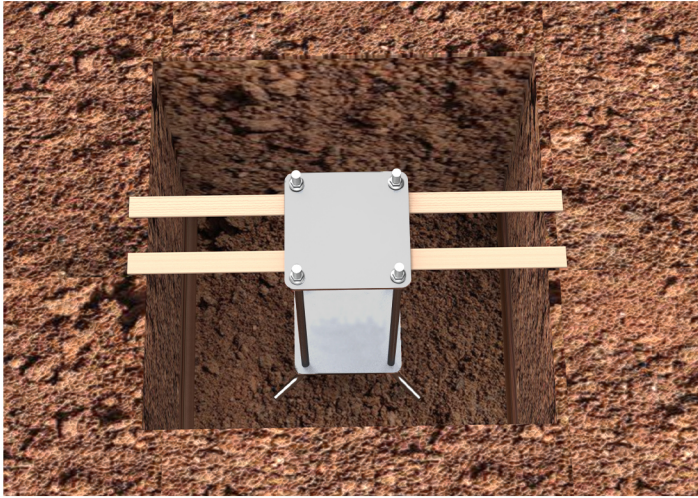
M12Spring pad  
(1pcs)



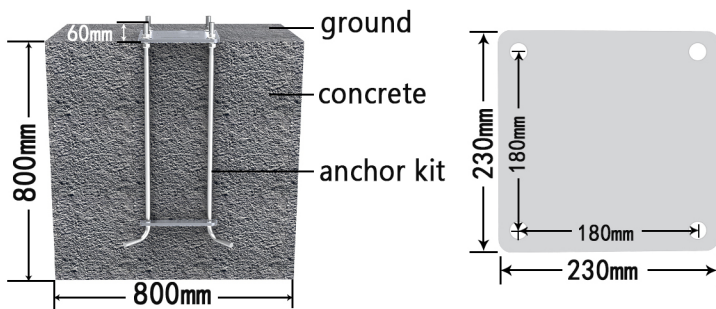
M12Flat Washer  
(2pcs)

Name	Specification	Quantity	Remark
Sheath		1	Optional
Post		1	
Pull-up rod		1	
Backboard		1	
Basket		1	
Basket	M10*80	4	Flat washers*4, spring washers*2, anti-loosening nuts*2
Backboard connecting wire	M10*30	2	Flat washers*4, spring washers*2, nuts*2
Backboard ear wire	M10*20	4	Flat washers*4
Backboard ear fixing wire	M12*50	1	Flat washers*2, spring washers*1, nuts*1
Backboard connecting wire		2	
Backboard ear	M20	1	M20 embedded hook 4 pieces

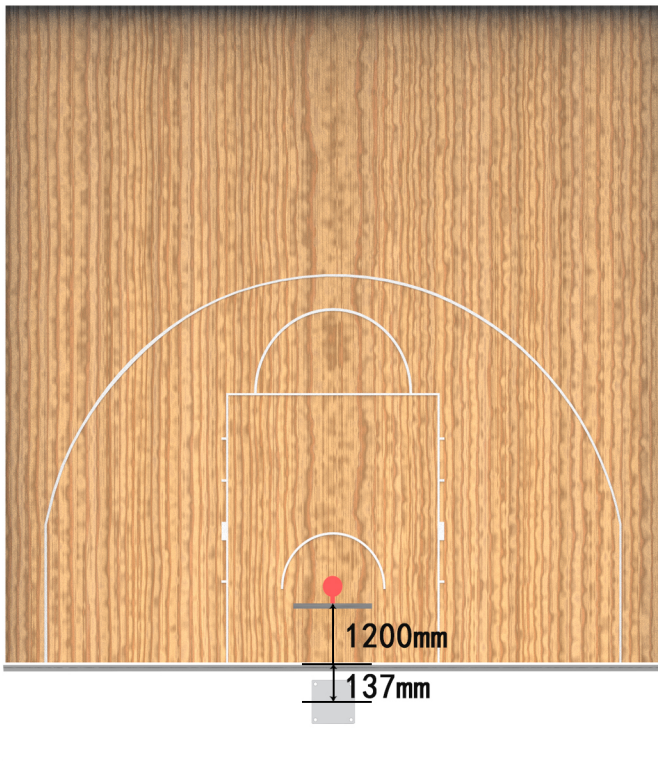
## ANCHOR KIT INSTALLATION



1. Dig a square foundation pit with a depth of 800mm and a length and width of 800mm\*800mm.
2. Place the embedded parts into the foundation pit and pour concrete.
3. The flange of the embedded parts should be level with the finished surface of the court floor.
4. Wait for the concrete to solidify for at least 5-7 days.



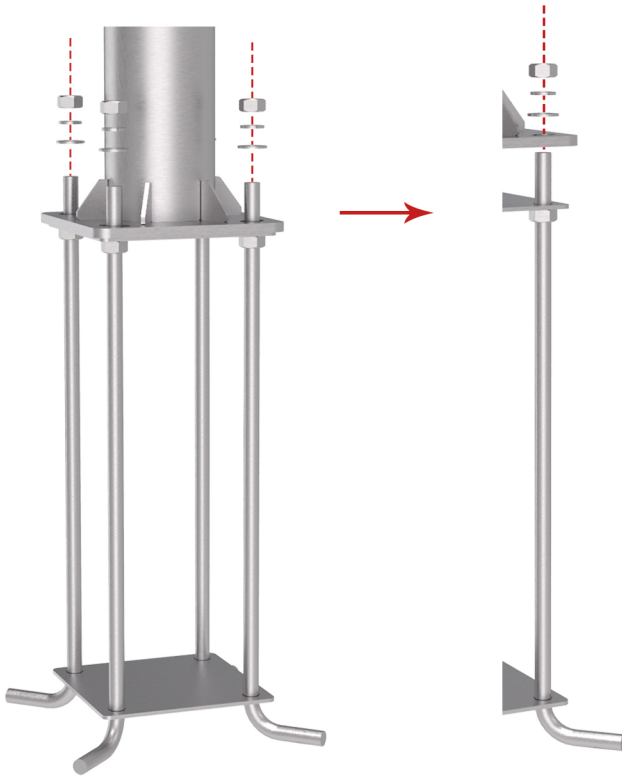
**⚠ The dimensions of the foundation pit for embedded parts are for reference only and should be adjusted according to local soil quality.**



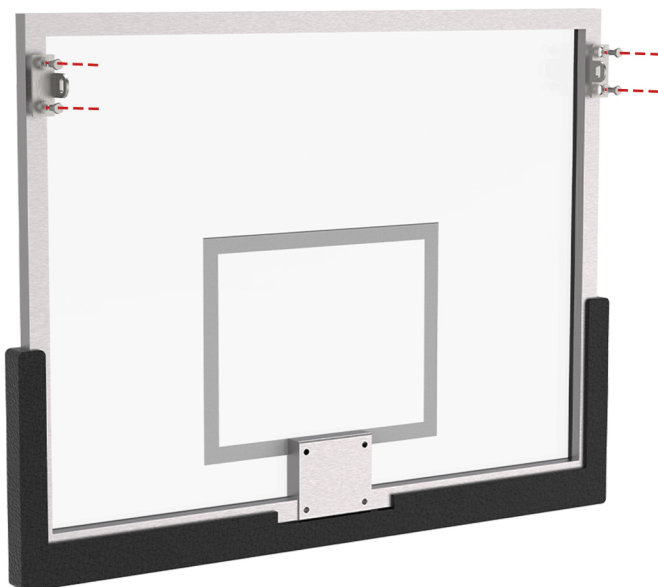
The two holes at the front end of the embedded part are facing the baseline of the court, and the center of the embedded part is 137mm away from the baseline; the front edge of the backboard is 1200mm away from the court line.



## INSTALLATION STEPS



1. Place the column on the embedded part fixing plate and fix it with flat washers, spring washers, nuts and embedded part fixing plate; measure the verticality of the column. If it is not perpendicular to the ground, use metal washers to adjust it until it meets the requirements.

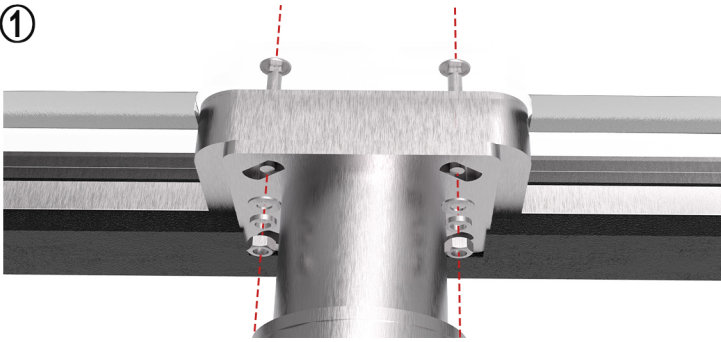


2. Install the backboard ears and use M10\*20mm bolts and flat washers to fix the backboard ears to the backboard.

---

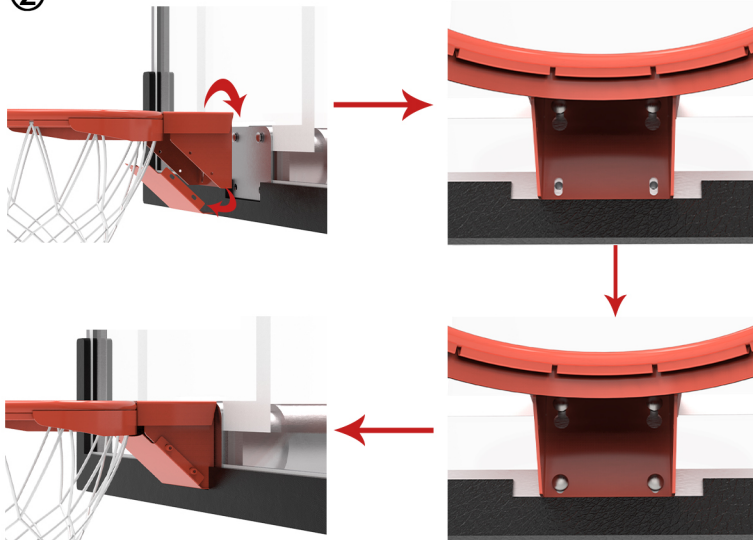


①



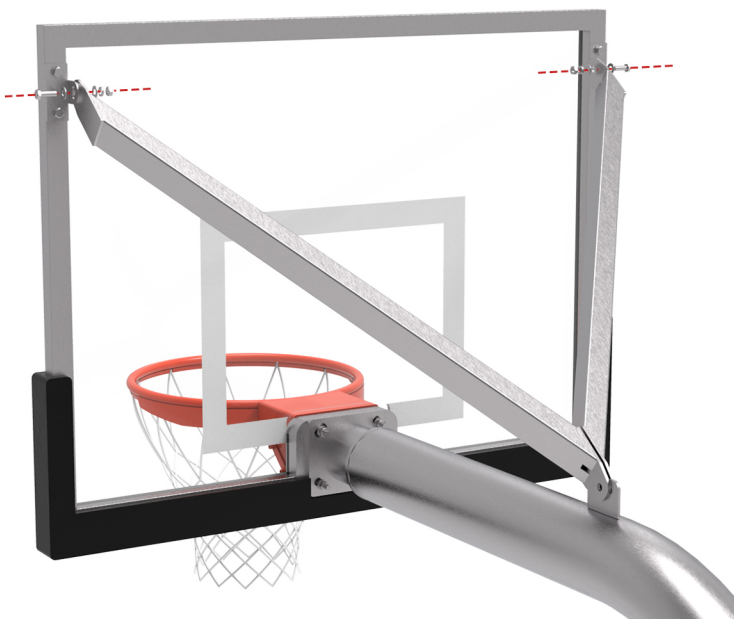
3. Install the backboard basket: ① Use two M10\*80mm carriage bolts, flat washers, spring washers, and nuts to connect but not fix the backboard and the upper part of the backboard fasteners.

②



② Open the bottom cover of the basket, hang the basket on the M10\*80mm carriage bolts, install the two M10\*80mm carriage bolts and flange nuts at the bottom, tighten and fix the four M10\*80mm carriage bolts, and buckle the bottom cover.

①



4. Install the rear tie rod. ① Use M10\*30mm bolts, flat washers, spring washers and nuts to fix the rear tie rod on the backboard.



②



② Adjust the backboard to a position perpendicular to the ground, determine the holes to be used, and use M12\*50mm bolts, flat washers, spring washers, and nuts to fix the rear tie rod.

