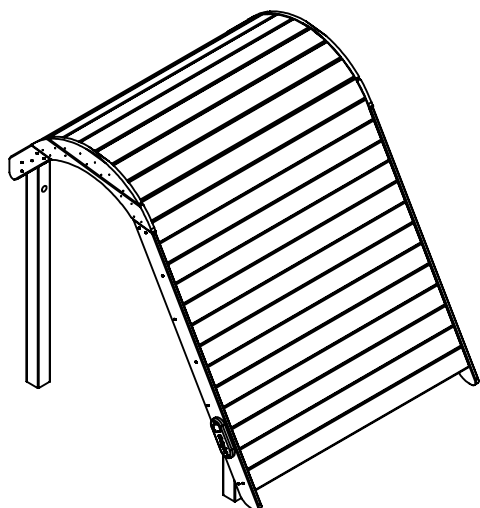

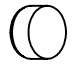



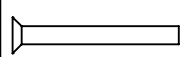
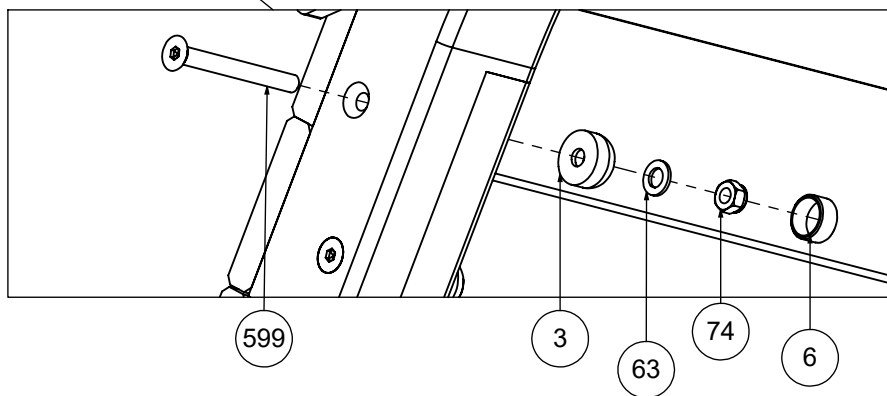
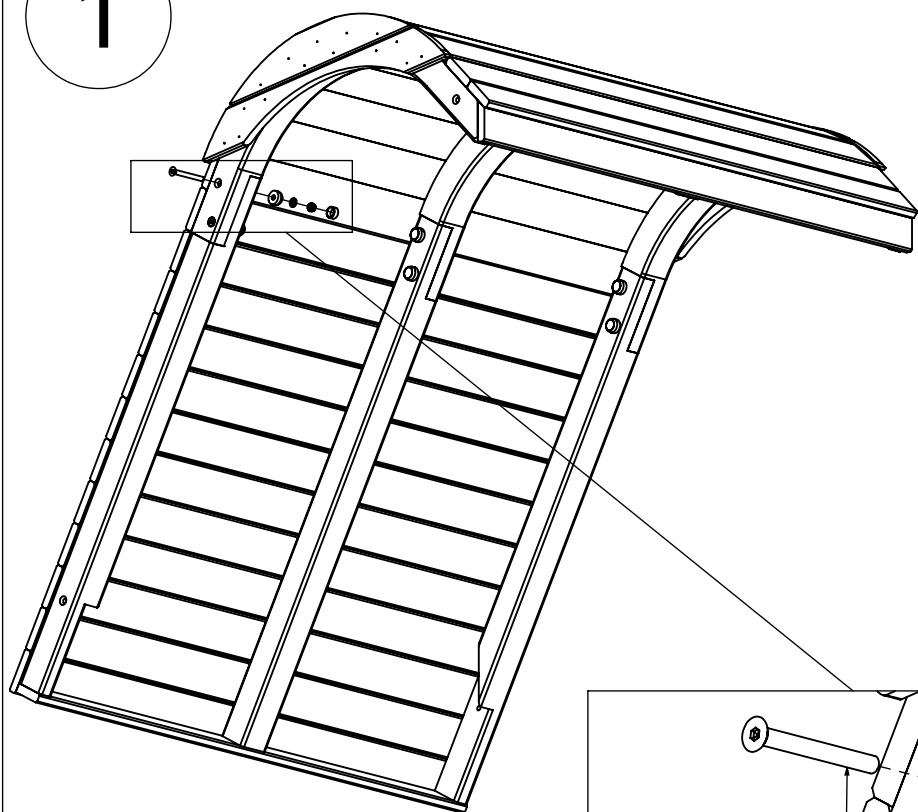


# INST\_84\_3

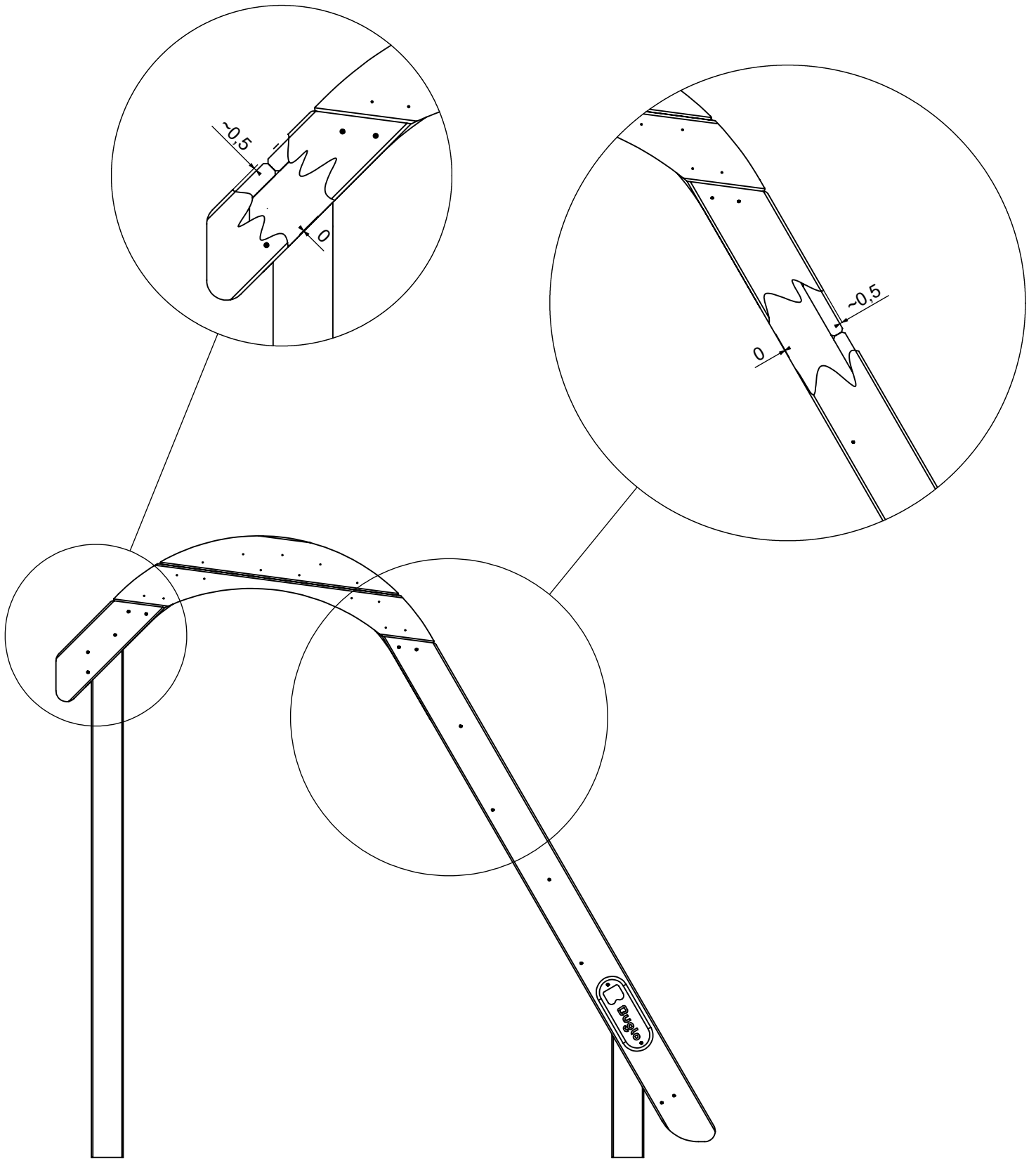


| Nr  | Σ  | Element                                                                             |          |          |
|-----|----|-------------------------------------------------------------------------------------|----------|----------|
| 3   | 10 |  | -        | K2_d30_B |
| 6   | 10 |  | -        | Z2_d30_B |
| 63  | 10 |  | DIN 125  | 12x24    |
| 74  | 10 |  | DIN 985  | M12 (OC) |
| 269 | 30 |  | -        | WT 5x60  |
| 599 | 10 |  | DIN 7991 | M12x110  |

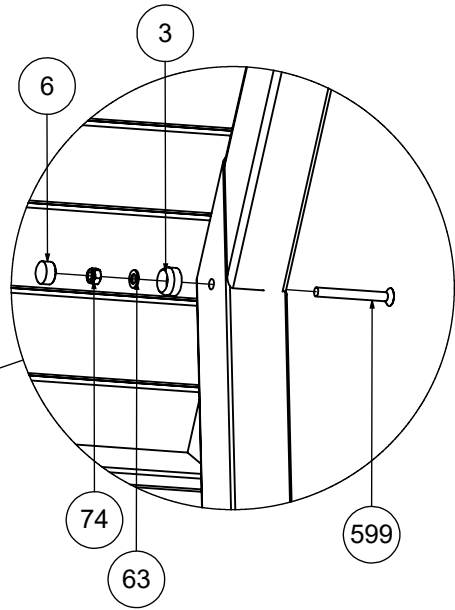
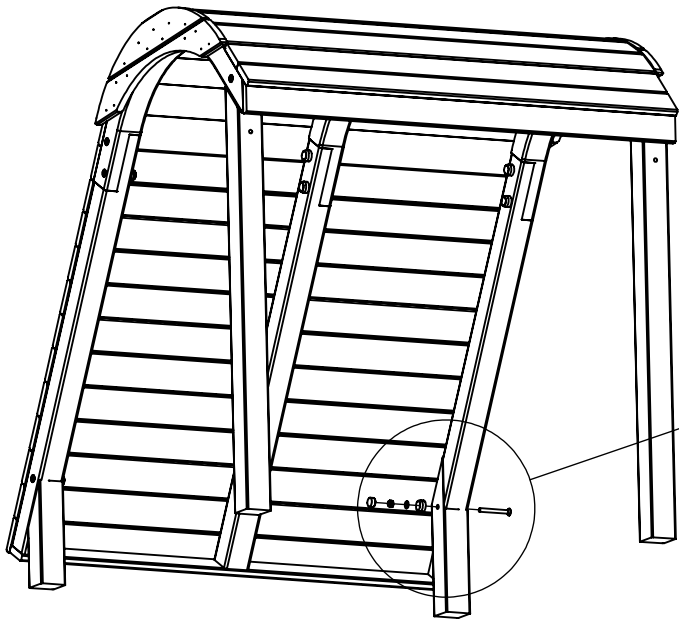
1



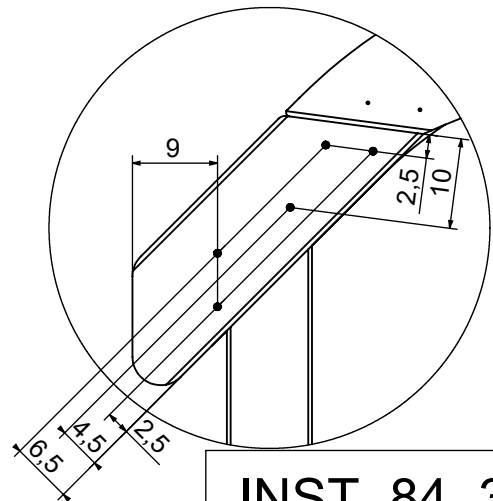
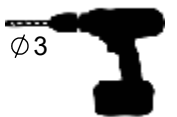
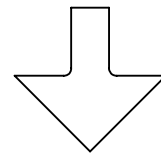
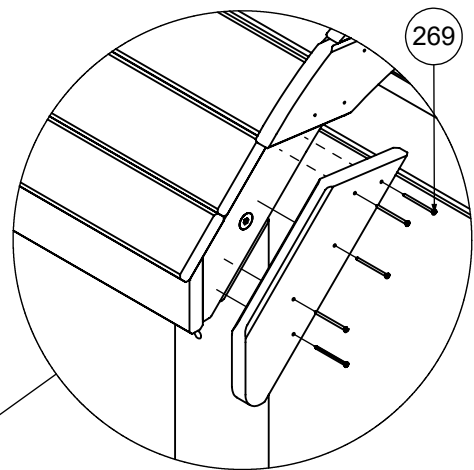
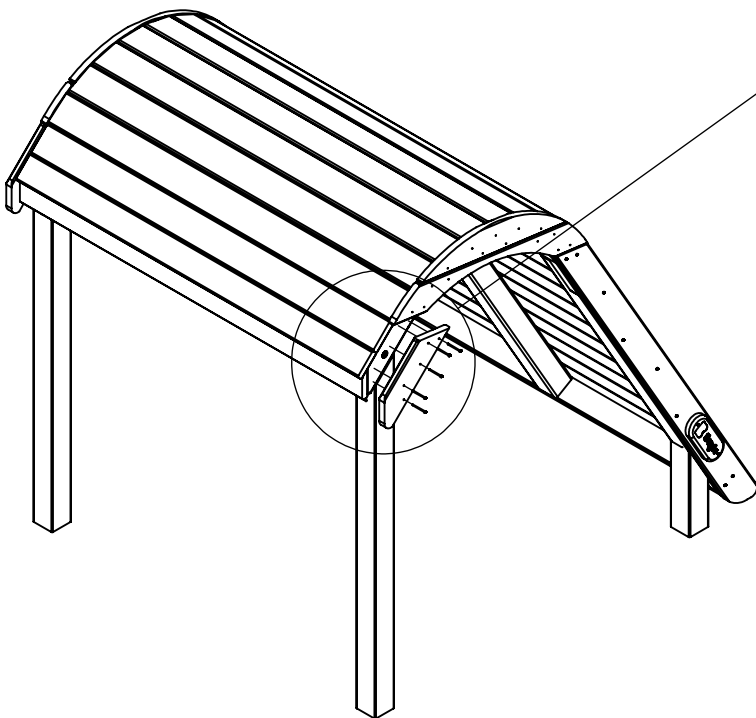
599 3 63 74 6



2

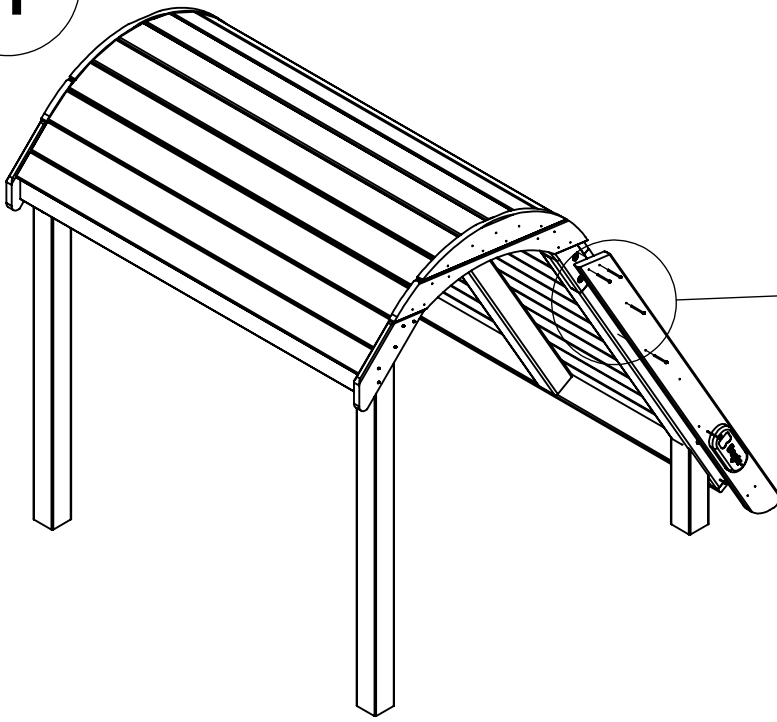
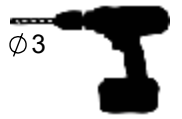


3

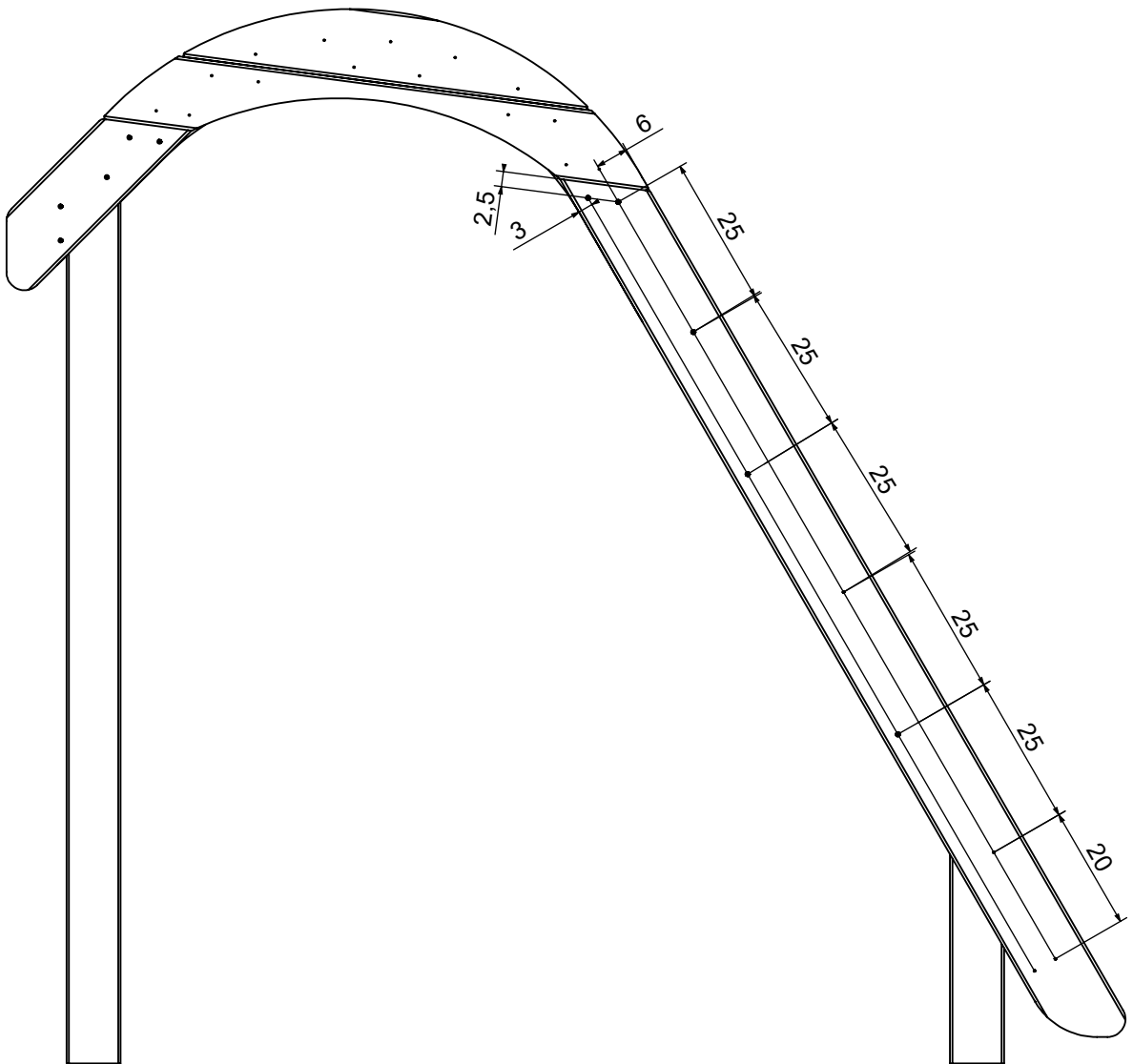


INST\_84\_3 3/5

4



269



INST\_84\_3 4/5

5

