

GRT7.x300

Automat for the return of wristbands

FACTS AT A GLANCE

- Automated return of wristband data carriers
- Two variants available: Stand variant (GRT7.1300) and flush-mounted variant (GRT7.2300)
- Convenient user guidance via display
- Illuminated wristband insertion slot
- Activation of turnstiles and doors via four relay outputs
- Four optocoupler inputs for status feedback
- Easy device configuration via G7 Connect
- GRT7.1300: Robust stainless-steel housing, integration with a turnstile possible and enhanced collection box capacity
- GRT7.2300: For flush-mounting into a desktop



The GRT7.x300 is a robust and highly efficient return automat for wristband-type RFID data carriers. Perfectly suited for use in entertainment facilities such as water parks, leisure centers, swimming pools and gyms, the automats are typically installed near exits where visitors can easily return their wristbands by inserting them into the device upon leaving the facility.

The fully automated process creates a modern and user-friendly impression for visitors allowing them to exit the facility in a safe and controlled manner. Key features for operators include a reduction of staffing costs due to the streamlined operation, and the assurance that all services used by guests during their visit have been paid for before leaving.

GANTNER offers two versions of the automat to suit different applications. The GRT7.1300 is a robust stainless-steel stand automat with an integrated collection box that can either operate as a standalone device or be installed with a turnstile. For a neat flush mounted appearance, the GRT7.2300 is available for integration into a desktop (e.g., at reception) beneath which the collection box can be located to catch the data carriers.

GRT7.1300



Like all GANTNER's Generation 7 devices, commissioning and management of the GRT7.x300 is completed using the web browser based G7 Connect and integration into the facility's management software is effortless.

At the heart of the GRT7.x300 is a robust mechanism that manages the inserted wristbands very efficiently. The RFID reader identifies the wristband and sends the stored data to the management software for evaluation. The graphical display and the illuminated return slot clearly and conveniently guide the user through the procedure.

For instances where the return of the wristband is not required, e.g., for season members, the data carrier is still read at the illuminated return slot for identification in order to process the exit request. The turnstile or gate is released once the data carrier information is checked by the management software and the request is approved.

GRT7.2300



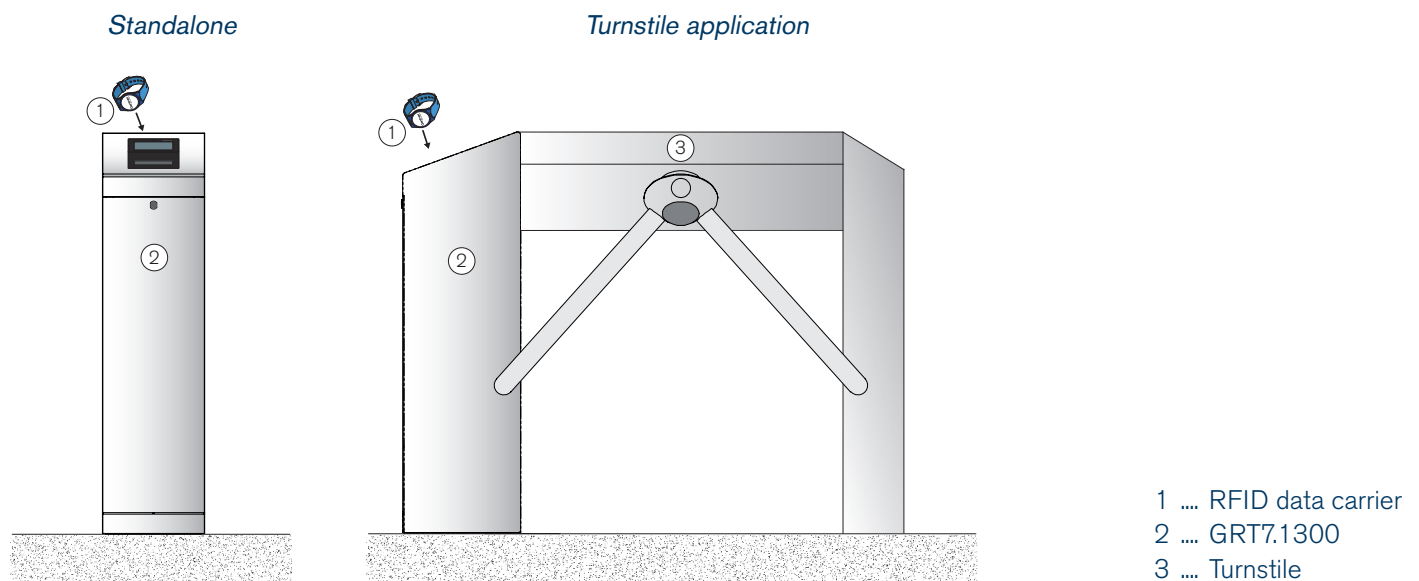
Technical data

Nominal voltage:	AC 100 - 240 V
Permitted voltage range:	AC 90 - 264 V
Frequency:	50/60 Hz
Current consumption:	Typ. 1.0 A max. at 100 - 240 VAC
Max. transmission power:	500 mW
Reading field frequency:	13.56 MHz
Reader type:	- LEGIC advant - MIFARE: Classic (1k and 4k), Ultralight®, DESFire EV1® and EV2® - ISO 15693
Supported armband types:	- GAT Chip Band 20 (all sizes & colors) - GAT Chip Band 65 (all sizes & colors)
Collection box capacity (GRT7.1300):	500 GAT Chip Band 20 or approx. 32 L (8.45 gal)
Host interface:	Ethernet 10/100 Mbit/s and RS-485
Software integration:	G7 API and G6 Adapter
Sensors:	ToF sensors
Signal inputs:	4 x optocouplers (function configurable)
Signal outputs:	4 x relays (NO/NC, function configurable)
Weight:	- GRT7.1300: approx. 15 kg (33.07 lbs) - GRT7.2300: approx. 1.06 kg (2.34 lbs)
Material:	- GRT7.1300: Plastic (device), stainless steel (housing) - GRT7.2300: Plastic (device), stainless steel (mounting frame)
Permitted ambient temperature:	0 °C to 40 °C (32 °F to 104 °F)
Protection type:	IP 10
Protection class:	I
Environment class (VdS 2110):	II (conditions in indoor areas)
Compliance:	CE

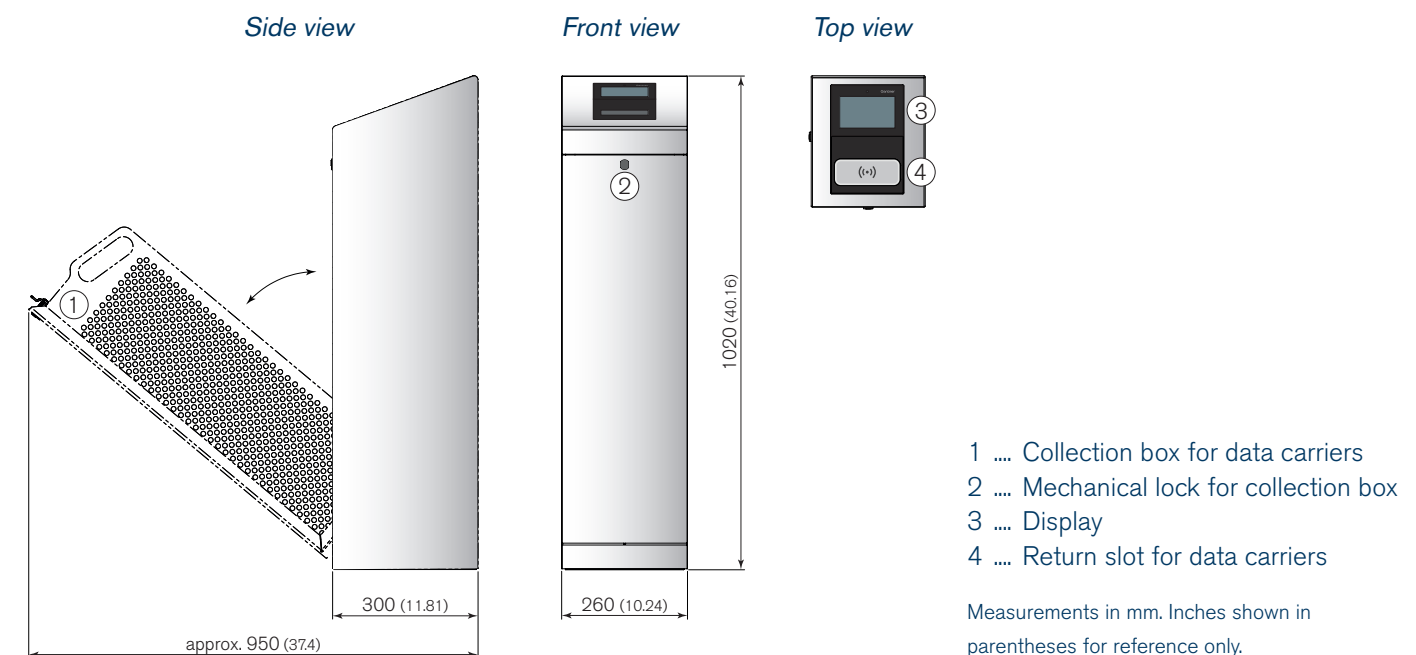
Order information

Description	Part No.
GRT7.1300 Return automat for collecting RFID wristbands, stand variant for integration with an exit gate or turnstile, etc. Interfaces: 1 x Ethernet, 1 x RS-485, 1 x USB, 1 x Wiegand, 4 x optocoupler inputs, 4 x relay outputs	1109577
GRT7.1300 AB Replacement collection box for the GRT7.1300 return automat	1109463
G7 Connect GO - GSC The G7 Connect GO Gantner Service Contract allows the use of one GRT7 device in G7 Connect	1107095

Typical application



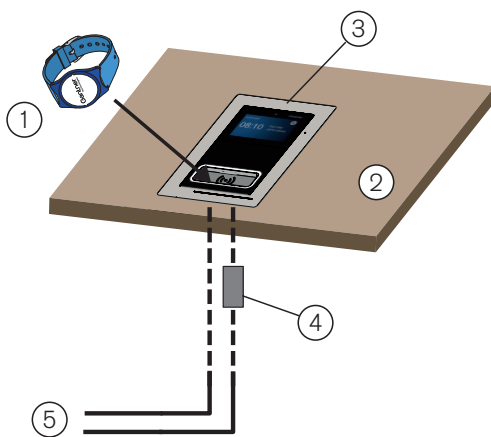
Device features and dimensions



Order information

Description	Part No.
GRT7.2300 Return automat for collecting RFID wristbands, installation variant for flush mounting into a desk, etc. Interfaces: 1 x Ethernet, 1 x RS-485, 1 x USB, 1 x Wiegand, 4 x optocoupler inputs, 4 x relay outputs. Includes the stainless steel mounting frame and mounting gasket required for installation. Not included in the scope of supply: GAT NET.Power Supply 7020-1 100-240V / VI (1104784) + power supply cord (various available to suit the country of operation).	1109897
G7 Connect GO - GSC The G7 Connect GO Gantner Service Contract allows the use of one GRT7 device in G7 Connect	1107095

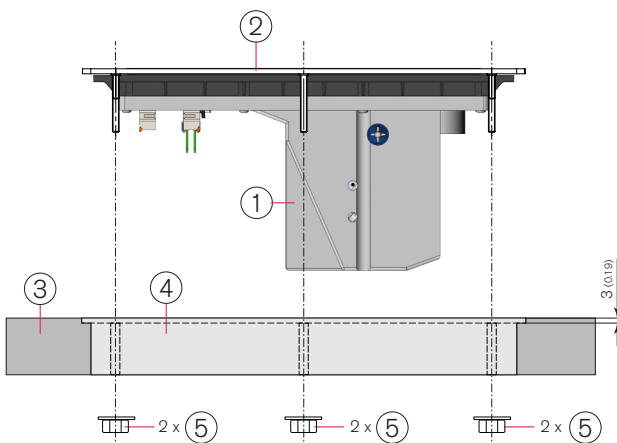
Typical application



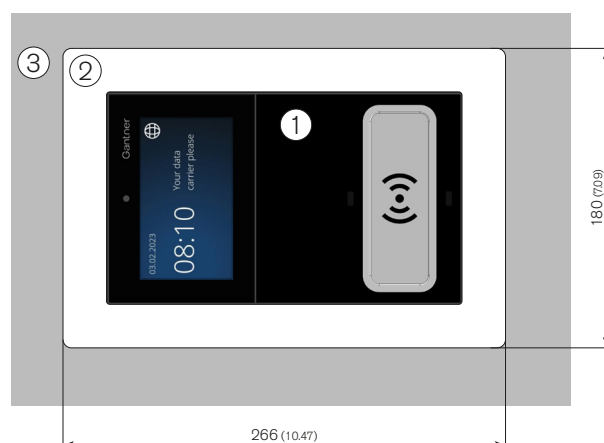
- 1 ... RFID wristband
- 2 ... Desktop
- 3 ... GRT7.2300
- 4 ... Power supply
- 5 ... Power and network cabling

Device features and dimensions

Side view



Top view



- 1 ... GRT7.2300
- 2 ... Mounting frame
- 3 ... Desktop
- 4 ... Cut-out
- 5 ... Mounting bolts

Measurements in mm. Inches shown in parentheses for reference only.